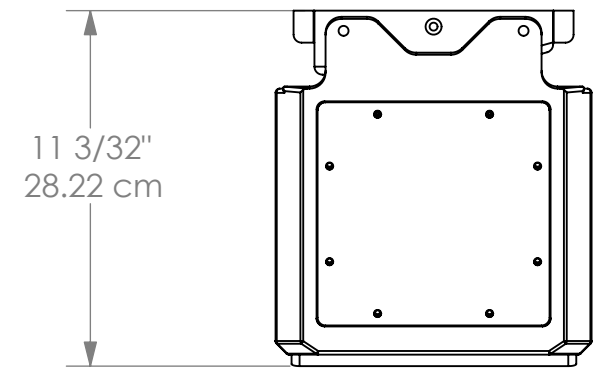
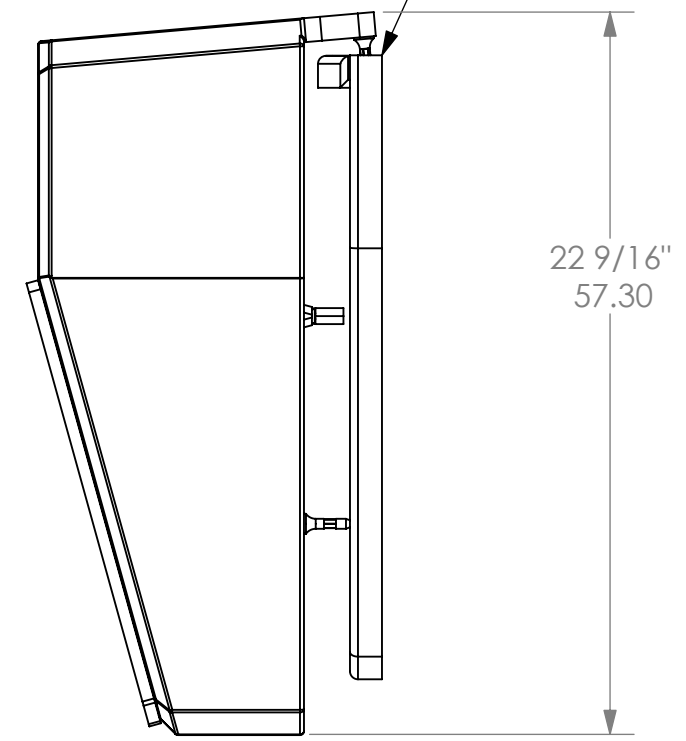
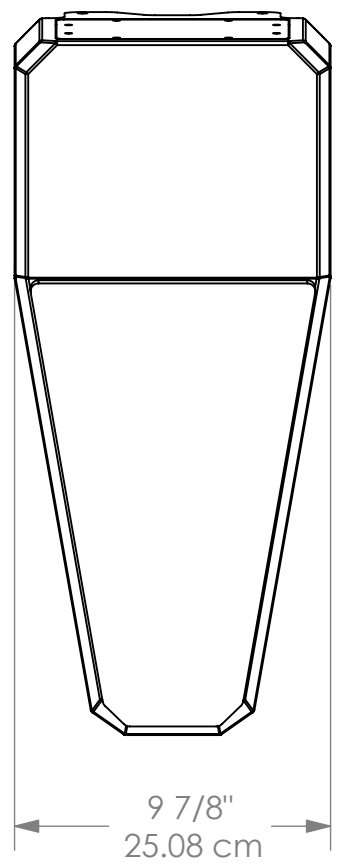


THE INFORMATION CONTAINED IN THIS DRAWING IS THE SOLE PROPERTY OF WILSON AUDIO SPECIALTIES ANY REPRODUCTION IN PART OR WHOLE WITHOUT THE WRITTEN PERMISSION OF WILSON AUDIO SPECIALTIES IS PROHIBITED.

REVISIONS			
REV.	DESCRIPTION	DATE	APPROVED



Please allow 3" of space between the top of the wall mount and the ceiling.



UNLESS OTHERWISE SPECIFIED
DIMENSIONS ARE IN INCHES
TOLERANCES ARE:
FRACTIONS DECIMALS ANGLES
+ - 1/32 .035 .5
- - -
MATERIAL
FINISH
DO NOT SCALE DRAWING

CAD GENERATED DRAWING,
DO NOT MANUALLY UPDATE
APPROVALS DATE
DRAWN BS
CHECKED
RESP ENG
MFG ENG
QUAL ENG



DWG. Name
RearMounted
SIZE DWG. NO. REV.
Scale 1:1 CAD FILE: SHEET 1 OF 1