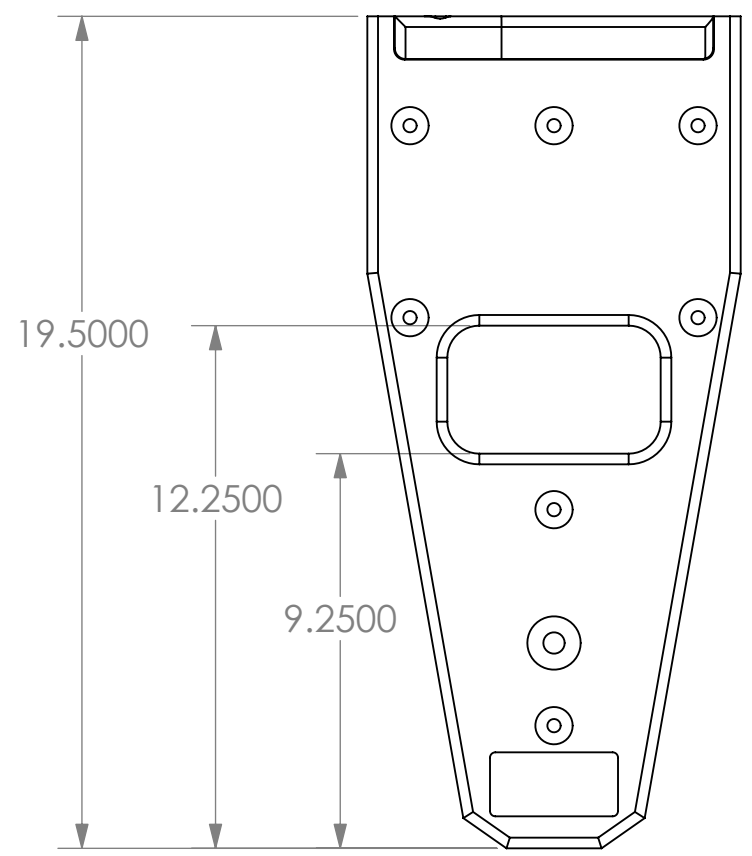
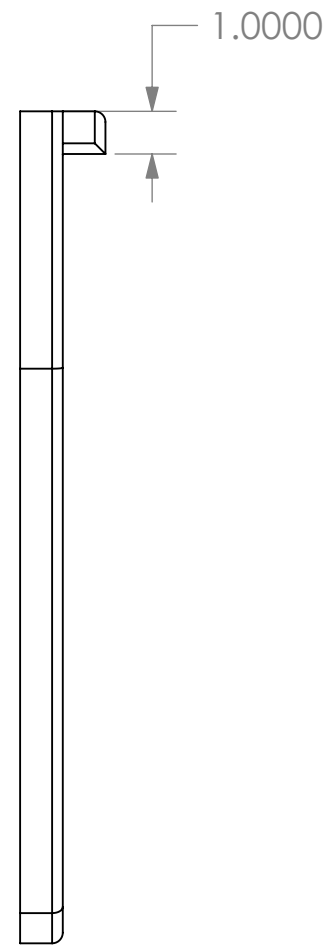
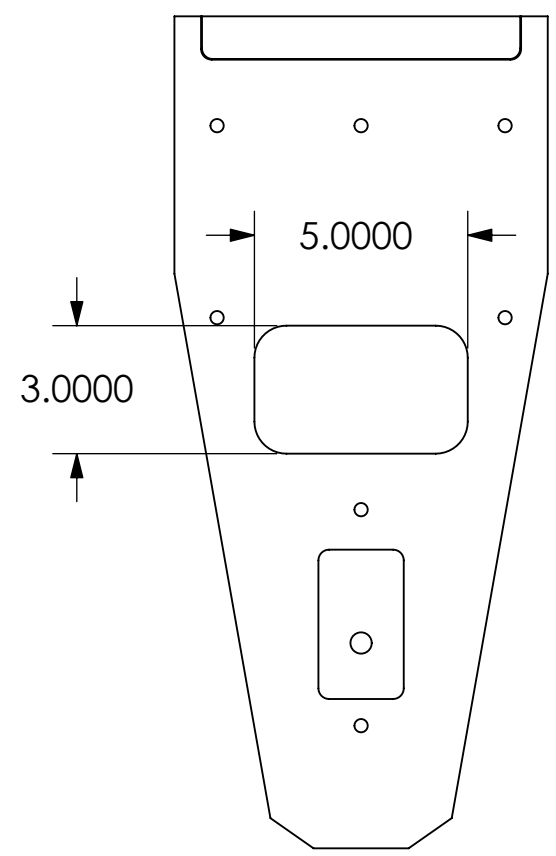
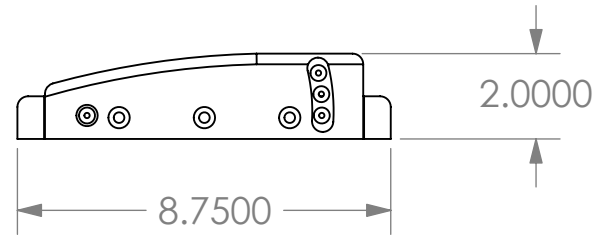


THE INFORMATION CONTAINED IN THIS DRAWING IS THE SOLE PROPERTY OF WILSON AUDIO SPECIALTIES ANY REPRODUCTION IN PART OR WHOLE WITHOUT THE WRITTEN PERMISSION OF WILSON AUDIO SPECIALTIES IS PROHIBITED.

REVISIONS			
REV.	DESCRIPTION	DATE	APPROVED



Please allow 3" of space between the top of the mount and the ceiling.

The mount is dimensionally smaller than the actual Surround. Please see the Surround drawings for dimensions.

UNLESS OTHERWISE SPECIFIED DIMENSIONS ARE IN INCHES TOLERANCES ARE:		CAD GENERATED DRAWING, DO NOT MANUALLY UPDATE	
FRACTIONS	DECIMALS	ANGLES	
+ - 1/32	.035	.5	
MATERIAL		APPROVALS	DATE
FINISH		DRAWN	BS
DO NOT SCALE DRAWING		CHECKED	
		RESP ENG	
		MFG ENG	
		QUAL ENG	



DWG. Name		RearMountAsm	
SIZE	DWG. NO.	REV.	
Scale 1:4	CAD FILE: RearMount	SHEET 1 OF 1	