

MEZZO CONVERGENT SYNERGY OWNERS MANUAL



CE

Wilson Audio® is a registered trademark of Wilson Audio Specialties, Inc.

Sophia®, Sasha®, MAXX®, Alexandria®, WAMM®, X-1 Grand SLAMM®, and WATCH® are registered trademarks of Wilson Audio Specialties, Inc.

Convergent Synergy™, Wilson Audio Duette™, Mezzo™, WilsonGloss™, WATCH Center™, WATCH Surround™, and WATCH Dog™ are trademarks of Wilson Audio Specialties, Inc.

This manual was produced by the Wilson Audio Engineering and the Sales and Marketing Departments. The information contained herein is subject to change without notice. Current Revision 1.0. If you are in need of a more recent manual, please contact your dealer.

The information in this manual is the sole property of Wilson Audio Specialties, Inc. Any reproduction, in whole or in part, without the express written permission of Wilson Audio Specialties, Inc., is prohibited. No material contained herein may be transmitted in any form or by any means, electronic or mechanical, for any purpose, without the express written permission of Wilson Audio Specialties, Inc.

Contents

MEZZO OWNERS MANUAL 1

SECTION 1 – INTRODUCTION 7

 SECTION 1.1 – MEZZO CONVERGENT SYNERGY INTRODUCTION 9

 AMONG THE TECHNICAL INNOVATIONS OF THE MEZZO CONVERGENT SYNERGY: 9

 MORE ON PROPAGATION DELAY 12

SECTION 2 – UNCRATING 15

 SECTION 2.1 – UNCRATING THE MEZZO CONVERGENT SYNERGY..... 17

 INITIAL CHECK 17

 UNCRATING THE MEZZO CONVERGENT SYNERGY..... 17

 SECTION 2.2 – CRATE CONTENT CHECKLIST 17

 MEZZO CONVERGENT SYNERGY CRATE..... 18

 MEZZO CONVERGENT SYNERGY STAND BOX (PEDESTAL STAND).. 19

SECTION 3 – IN YOUR ROOM 21

 SECTION 3.1 – THE WILSON AUDIO SETUP PROCEDURE 23

 FINAL LISTENING ROOM SETUP (VOICING)..... 23

 ZONE OF NEUTRALITY: MAIN LEFT AND RIGHT CHANNEL 23

 SECTION 3.2 – ROOM ACOUSTICS 25

 SLAP ECHO 25

 STANDING WAVES 27

 COMB FILTER EFFECT..... 29

 SECTION 3.3 – RESONANCES 29

 STRUCTURAL RESONANCE..... 30

 VOLUME RESONANCE..... 30

 SECTION 3.4 – YOUR ROOM..... 31

ROOM SHAPES	31
SPEAKER PLACEMENT VERSUS LISTENING POSITION	32
SPEAKER ORIENTATION	33
CENTER CHANNEL	33
SURROUND CHANNEL.....	34
WATCH DOG AND THOR'S HAMMER PASSIVE SUBWOOFERS	35
SECTION 4 – INITIAL SETUP	37
.....	39
SECTION 4.1 – FINAL SETUP	39
PREPARATION	39
SECTION 4.2 – MEZZO CONVERGENT SYNERGY SPIKES	39
ASSEMBLY	40
SECTION 4.3 – MEASURED LISTENING POSITION	41
ROOM SETUP	41
MEZZO CONVERGENT SYNERGY CONFIGURATIONS	42
SECTION 4.4 – SETUP #1 MEZZO CONVERGENT SYNERGY ON FLOOR	43
SECTION 4.5 – SETUP #2 MEZZO CONVERGENT SYNERGY ON A STAND	
.....	45
THE HOURGLASS STAND	46
SECTION 4.6 – SET UP #3 MEZZO CONVERGENT SYNERGY ON CUSTOM	
STAND OR SHELF	47
SECTION 4.7 – CONNECTING SPEAKER TO AMPLIFIER	49
SPEAKER CABLES	49
SPADE LUGS.....	49
CONNECTION OF THE MEZZO CONVERGENT SYNERGY TO THE POWER	
AMPLIFIER	50
MEZZO CONVERGENT SYNERGY SETUP COMPLETED	50

SECTION 5 – TUNING AND VOICING 53

 SECTION 5.1 – FINAL TUNING AND VOICING 55

 SECTION 5.2 – LEFT AND RIGHT CHANNELS 55

 DETERMINING FRONT TO BACK DISTANCE..... 56

 DETERMINING SIDE TO SIDE DISTANCE 57

 SECTION 5.3 – INTEGRATING THE MEZZO CONVERGENT SYNERGY INTO SURROUND SYSTEM 58

 INTEGRATING THE MEZZO CONVERGENT SYNERGY 58

 IMAGE HEIGHT..... 59

 MEZZO CONVERGENT SYNERGY ROTATION 59

 RESETTING THE PROPAGATION DELAY CORRECTION (PDC) 60

 INTEGRATING THE WATCH SURROUND CHANNELS 60

 INTEGRATING THE PASSIVE WATCH DOG OR THOR’S HAMMER .. 61

SECTION 6 – CARE OF THE FINISH 63

 SECTION 6.1 – CARE OF THE FINISH 65

 DUSTING THE MEZZO CONVERGENT SYNERGY 65

 CARE OF THE GRILLS 65

 BREAK-IN PERIOD..... 66

 SECTION 6.2 – ENCLOSURE TECHNOLOGY 66

 MATERIALS 66

 ADHESIVE 67

 SECTION 6.3 – DEPTH OF DESIGN 67

SECTION 7 – TROUBLESHOOTING 69

 SECTION 7.1 – TROUBLESHOOTING:..... 71

SECTION 8 – REPAIR PROCEDURES..... 75

SECTION 8.1 – REPAIR PROCEDURES	77
REPLACING AN OPEN RESISTOR	77
REPLACING A BAD DRIVER	78
SECTION 9 – SPECIFICATIONS	81
SECTION 9.1 – MEZZO CONVERGENT SYNERGY SPECIFICATIONS	83
SECTION 9.2 – MEZZO CONVERGENT SYNERGY DIMENSIONS	84
SECTION 9.3 – HOURGLASS STAND DIMENSIONS	85
SECTION 9.4 – MEZZO CONVERGENT SYNERGY ON HOURGLASS STAND DIMENSIONS	86
SECTION 9.5 – COLUMN STAND DIMENSIONS	87
SECTION 9.5 – MEZZO CONVERGENT SYNERGY IMPEDANCE CURVE ..	88
SECTION 10 – TIME-ALIGNMENT TABLES	89
TABLE 1 – FOR PLACEMENT ON FLOOR	91
TABLE 2 – FOR PLACEMENT ON STAND	92
SECTION 11 – WARRANTY INFORMATION	93
SECTION 12.1 – WARRANTY INFORMATION	95
LIMITED WARRANTY	95
CONDITIONS	95
REMEDY	96
WARRANTY LIMITED TO ORIGINAL PURCHASER	96
DEMONSTRATION EQUIPMENT	97
MISCELLANEOUS	97

SECTION 1 — INTRODUCTION



Section 1.1—Mezzo Convergent Synergy Introduction

From all of us at Wilson Audio Specialties—thank you for purchasing the Mezzo Convergent Synergy loudspeaker. The information contained within the pages of this manual will inform and instruct on the proper assembly, set up, and long term care of your Mezzo Convergent Synergy.

The original Mezzo™ was formulated and engineered with a specific function in mind: a loudspeaker that possessed the sonic signature of the Wilson’s Sasha W/P®, but in a low-profile package. When used as a center channel, the Mezzo seamlessly matched the acoustic signature of Wilson’s original Sasha. Indeed, the Mezzo featured a driver complement identical to the Sasha, with the exception of the midrange driver, which was borrowed from the legendary Alexandria XLF®. The Mezzo also provided an unprecedented level of musical accuracy in music systems and home theaters where its low-profile form solved architectural challenges, such as in those installations where a tall loudspeaker would block wall-to-wall cinema screens™, the view afforded by large windows, or wall-hanging artwork. Whether it was used as a center channel in conjunction with Sasha, MAXX, or Alexandria, or as a main loudspeaker, Mezzo matched the tonal beauty, dynamic speed, tonal sophistication, resolution, and sense of “thereness” that were hallmarks of the original Sasha W/P.

With the advent of Wilson’s Convergent Synergy tweeter in the Alexandria XLF, the Alexia, and now the Sasha W/P Series-2, it quickly became apparent that a Convergent Synergy tweeter version of the Mezzo was needed.

Among the technical innovations of the Mezzo Convergent Synergy:

The Mezzo Convergent Synergy sources its midrange driver directly from the groundbreaking Wilson Alexandria XLF. With this midrange driver, Dave and the Wilson engineers set out to redefine what was possible in cone midrange technology—and to capture certain qualities of live music heretofore not achieved in any other design. Their efforts were rewarded. The result was the Wilson midrange driver. One has to hear the clarity, tonal

density and truthfulness, and dynamic clarity to appreciate the resulting vast improvement in the midrange over other designs.

The original version of Wilson Audio's Convergent Synergy tweeter was developed in conjunction with the Alexandria XLF. It now makes its debut in a new custom form, specifically designed to meet the needs of the Mezzo Convergent Synergy's mission. During the development of the Convergent Synergy tweeter, Dave and the engineers tested a wide spectrum of tweeters fabricated with exotic materials such as diamond and beryllium. Each have their own unique qualities and virtues. Many exhibit flat frequency response, or are extended several octaves above the audible bandwidth. But none matched the dynamic contrast and harmonic expression of Wilson's existing titanium design. But most importantly, none of them were an ideal match to our midrange driver. The Convergent Synergy tweeter rejects exotic materials in favor of a uniquely constructed silk dome design. With the Convergent Synergy driver, the design requirement of ultra-low distortion and very robust power handling down in the lower part of its range are beautifully met. These qualities converge with a much higher resonant frequency and flatter frequency response when compared to the original inverted titanium design. Wilson's Convergent Synergy tweeter is extremely linear. It crosses over synergistically to Wilson's midrange driver. The noise floor is much lower than the titanium driver it replaces. The Mezzo Convergent Synergy crossover features technology that accounts for the formidable performance envelope offered by the Convergent Synergy tweeter.

The Convergent Synergy tweeter's acoustic and mechanical demands are somewhat different from the titanium tweeter it replaces. Using the latest version of Wilson's proprietary composite, X-material, Wilson's engineers designed an all new tweeter module. The module is extremely inert and non-resonant. It also accounts for the Convergent Synergy tweeter's dispersion characteristics. Great care was taken to address diffraction—a type of time-domain distortion that results from reflections off the speaker cabinet. The shape of

the module is emblematic of this effort, as is the shape and material of the energy-absorbing pad that surrounds the tweeter.

Sasha W/P Series 2 woofer. The Mezzo Convergent Synergy sources its woofer directly from the Sasha W/P Series 2. The speed, dynamic alacrity, and tunefulness that are all distinctive features of the latest Sasha are in evidence here in similar proportions.

In the main module, Mezzo Convergent Synergy's two woofers are mounted horizontally, flanking the midrange driver. Achieving near perfect driver-alignment at the listening position requires the adjustability of the tweeter by changing its relative position in relation to the midrange and woofer drivers, such that all drivers' acoustic centers are equidistant from the listener. The tweeter module is adjustable via a provided chart according to ear height and listening distance—and for a variety of Mezzo Convergent Synergy installation strategies. Whether the Mezzo Convergent Synergy is installed directly on the floor, on one-of-two custom designed stands, or in custom cabinets, the Mezzo Convergent Synergy's drivers can be properly aligned to accommodate these scenarios.

Just as in the Sasha, the Mezzo Convergent Synergy uses an "S" Material midrange baffle. S-material is a relatively new enclosure composite designed in conjunction with the Sasha W/P. The S-material baffle reduces measurable and audible noise and coloration in the critical midrange. Wilson's proprietary X-material is used in the balance of the enclosure walls, continuing Wilson's practice of building ultra-low resonance cabinets.

Two stands: The Hourglass Stand features a solid front plinth, which allows for 2π Steradian support of the midrange and woofer drivers, resulting in more linear and impactful performance in the upper bass and lower midrange. The second optional stand features an pedestal, which can be customized for overall height; the Mezzo can be optimized for the specifics of center channel placement in relationship to large cinema screens.

More on Propagation delay

A musical waveform is a complex overlay of frequencies, amplitudes, and phase

relationships. With current technology, no single transducer can reproduce the full range of music at realistic sound pressure levels while maintaining consistent dispersion. The solution is the multiple driver array, with specific drivers dedicated to various portions of the frequency range. Multiple drivers introduce their own set of problems. A challenge typically ignored by speaker designers is preserving the precise time relationships of the leading edge of the musical waveform.

The key to solving this problem lies in Wilson's innovative and patented Adjustable Propagation Delay technology, which employs movable modules that allow the individual adjustment of the drivers in the time domain. Using this technology, each driver's waveform propagation "matches up" with the other drivers in the system in such a way as to create the sonic equivalent of a single point source. There are certain loudspeaker makers other than Wilson that recognize the need to correctly align their drivers, but they do so for only one theoretical listening position.

The fact is, misalignment of the drivers by fractions of an inch will audibly degrade transient accuracy, soundstage height, depth, and width. Misalignment of the drivers will also introduce tonal anomalies that destroy the otherwise convincing "presence" of an instrument or a singer's voice. Wilson's solution for propagation delay correction has long set the standard for precise driver positioning in order to insure correct time-alignment for a wide range of real room listening distances and ear heights.

The Mezzo Convergent Synergy cabinet is a further evolution of Wilson's philosophy that truly great forms follow a corresponding function. It is a visual metaphor for the solution Wilson Audio pioneered to address issues of phase coherence exacerbated by large speaker systems. Typical of the creative process, the solution itself is an analogy to the field of optics and the design of wide-angle lenses. The means of maintaining edge-to-edge sharpness at both close and far focusing distances for a high quality wide-angle lens suggested a solution to the similar problem of time domain accuracy for large speaker systems

at both near and far listening positions.

With Mezzo Convergent Synergy, Wilson Audio takes this concept a logical step further, addressing the issue of optimal driver dispersion in the large cabinet system. Ideal driver dispersion for both near and far listening positions requires the drivers be adjust-

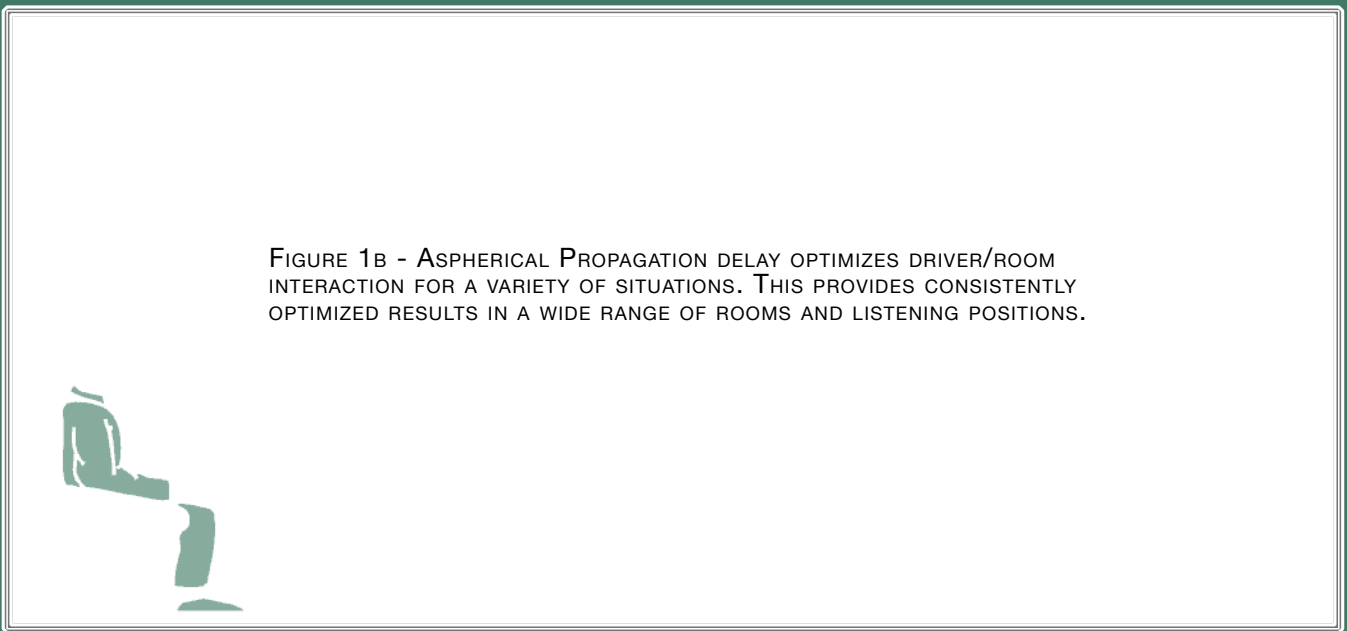
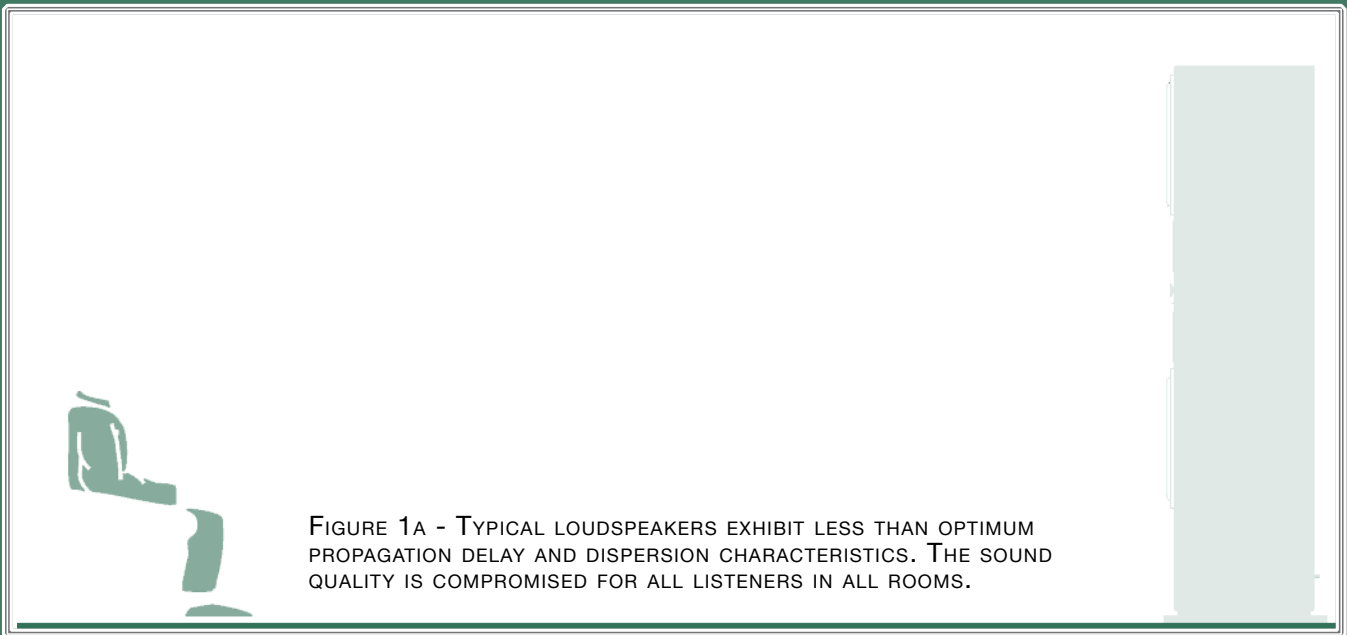


FIGURE 1 – USING TECHNOLOGY FROM SASHA, MEZZO CONVERGENT SYNERGY’S GROUP DELAY IS CORRECTED IN THE TIME DOMAIN.

able.

With the Mezzo Convergent Synergy, you and others you listen with, will hear your favorite recordings and soundtracks with true time coherency, full frequency range, unfettered dynamics, and vanishingly low distortion. The improvement in realism wrought by Mezzo Convergent Synergy is delightfully revolutionary.

SECTION 2 — UNCRATING



Section 2.1—Uncrating the Mezzo Convergent Synergy

Note: To avoid damaging the Alexx's painted surface. Please remove any jewelry such as rings, watches, necklaces, and bracelets during this process.

Initial Check

The Mezzo Convergent Synergy is shipped in a wooden crate. Upon receiving your Mezzo Convergent Synergy, please check the crate's condition. If the crate is damaged, please report it to the shipping company immediately for insurance verification.

The following items are recommended for this procedure:

- Electric Screwdriver
- Phillips head drive bit
- Masking tape (for use in speaker setup)

Uncrating the Mezzo Convergent Synergy

A minimum of two strong adults is required to set up the Mezzo Convergent Synergy.

1. With the crate lid facing up, unscrew the wood screws securing the lid. Remove the lid.
2. One crate will contain the tool kit.
3. The Mezzo Convergent Synergy is shipped with casters installed. Carefully lift the crate upright so that the Mezzo is now vertical. With the Mezzo's bottom toward the floor and one person holding the crate, the second person should reach in and gently roll the Mezzo out of the crate, carefully, so as not to hit the Mezzo on the crate and scratch the paint.

Section 2.2—Crate Content Checklist

Now that you have unpacked your Mezzo Convergent Synergy, you can inventory all the additional items in the crate.

Mezzo Convergent Synergy Crate

1—Owner's Manual

1—Warranty Registration (included in the manual)

1—Mezzo Convergent Synergy Midrange/Woofer Grill

1—Mezzo Convergent Synergy Tweeter Grill

4—Nuts

4—Spikes

4—Brass Discs

4—Spacers

4—Diodes

1—Universal Allen Handle

1—1/2" Nut Driver

1—1/8" Allen Head

1—3/16" Allen Head

1—3/32" Allen Head

1—5/32" Allen Head

1—5/16" Allen Head

4—3/8" - 16 x 1 1/2" Set Screws

2—3/8" - 16 x 2" Set Screws

1—Blue Polishing Cloth

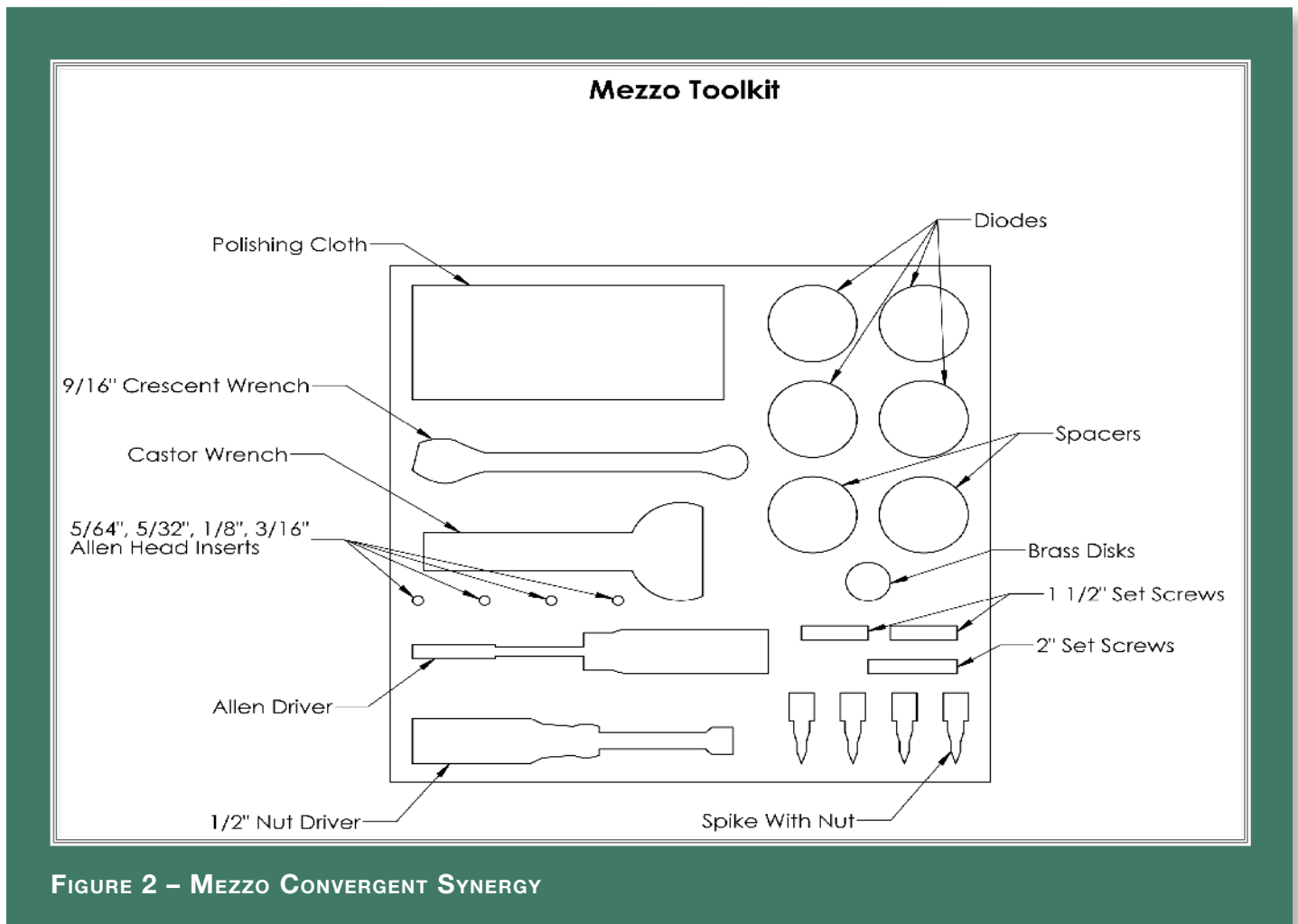


FIGURE 2 – MEZZO CONVERGENT SYNERGY

1 – Caster Wrench

1—9/16" Wrench

Mezzo Convergent Synergy Stand Box (Pedestal Stand)

If you purchased a Wilson Audio Mezzo Convergent Synergy Stand on which to mount your Mezzo Convergent Synergy, you will find the following items in the box with your stand:

4—3/8" - 16 x 1 1/2" Socket Head Cap Screws

4—3/8" x 7/8" Stainless Steel Flat Washers

1—5/16" Long Arm Allen Wrench

1—Polishing Cloth

SECTION 3—IN YOUR ROOM



Section 3.1—The Wilson Audio Setup Procedure

You are surely excited about setting up your Mezzo Convergent Synergy and doing some listening, but before you begin, we would like to discuss some of the important room acoustical information that will help you set up your loudspeakers properly.

Final Listening Room Setup (Voicing)

For Mezzo Convergent Synergy’s size and single-module configuration, it is unmatched in its ability to reproduce the musical event. However, room acoustics and boundary interactions affect the sound of a loudspeaker to such a large degree that poor setup can seriously degrade your enjoyment of even the finest loudspeaker.

Therefore, we offer the following section, which will present some guidelines on room acoustics and their interactions with loudspeakers. While we will also outline some detailed suggestions on the setup of the Mezzo Convergent Synergy, we strongly suggest that you have your local Wilson Audio dealer perform the final speaker “voicing” with you. Wilson dealers are specially trained in setting up Wilson loudspeakers and will ensure that you realize the full value of your purchase. What follows is an outline of the Wilson Audio Setup Procedure (WASP). When carefully followed, the process has proven to be the most effective method for setting up Wilson loudspeakers.

Zone of Neutrality: Main Left and Right Channel

The “Zone of Neutrality” is an area in your room where the speakers will sound most natural. This location is where the speakers interact the least with adjacent room boundaries. It is important to have a clear working space while determining the Zone of Neutrality.

The following is a simple method to locate the Zone of Neutrality within your listening environment:

1. Stand against the wall BEHIND the location where you intend to position your loudspeakers. Speaking in a moderately loud voice and at a constant

volume, project your voice out into the room. Your voice will have an overly heavy, “chesty” quality because of your proximity to the rear wall.

2. While speaking, slowly move out into the room, progressing in a direction parallel to the sidewall. It is helpful to have another listener seated in the listening position to assist you during this process. Listen to how your voice “frees up” from the added bass energy imparted by the rear wall boundary. Also notice that your voice is quite spatially diffuse (to your assistant, your voice will sound spatially large and difficult to localize) as you begin to ease away from the rear wall.
3. At some point during your progression forward into the room, you will observe a sonic transition in your voice; it will sound more tonally correct and less spatially diffuse (your assistant can now precisely localize the exact origin of your voice). When you hear this transition, you have entered the inner edge of the Zone of Neutrality. Place a piece of tape on the floor to mark this location. Although it will vary from room to room, in most rooms the zone begins between two and a half to three feet from the rear wall.
4. Continue to walk slowly away from the rear wall. After some distance, usually one to two feet past the first piece of tape, you will begin to hear your voice lose focus and appear to reflect (echo) in front of you. This is caused by the return of the room’s boundary contribution; your voice is now interacting with the opposite wall. At the point where you begin to hear the reflected sound of your voice, you have reached the outer edge of the Zone of Neutrality. Place a piece of tape on the floor and mark this location. The distance between the “inner” and “outer” edge tape marks is usually between eight inches (for small, interactive rooms) and three feet (for large, more neutral rooms).
5. Now position yourself against the side wall perpendicular to the intended speaker location. Stand between the two tape marks. Using the same procedure as above, begin moving into the room toward the opposite sidewall, progressing between the two pieces of tape. As above, listen for the point in the room where your voice transitions from bass-heavy and diffuse to neutral. Mark this point with tape. Continue your progression until there is an

obvious interaction with the opposite wall in front of you and mark this point with tape. The four pieces of tape now form a rectangle that establishes the Zone of Neutrality for the loudspeaker located on that side of the room. Using the four marks as your guide, tape an outline to define the boundaries of the rectangle.

6. Repeat this process for each speaker location individually. These are your Zones of Neutrality, one for each channel.

Theoretically, the Zone of Neutrality for any room runs like a path, parallel to the walls all around the room. Adjacent to very large windows and open doors, the outer edge of the Zone of Neutrality moves closer to the wall and becomes wider. If you were to extend the inner and outer boundaries of the Zone for the sidewalls and the front wall (behind the speakers), they would intersect. After you complete this procedure for the other loudspeaker, you will now have two rectangles, one on the floor on either side of the room.

Section 3.2—Room Acoustics

Note: The following section contains general information on room acoustics and loudspeaker/room interaction. The concepts outlined below are equally relevant when dealing with multi-channel audio or home theater. The careful application of these concepts, as you evaluate the acoustical characteristics of your own room configuration, will allow you to optimize the performance of your Mezzo Convergent Synergy.

Slap Echo

Probably the most obnoxious form of reflection is called “slap echo.” With slap-echo, primarily midrange and high frequency sounds reflect off of two parallel hard surfaces. The sound literally reverberates back and forth until it is finally dissipated over time. You can test for slap echo in any room by clapping your hands sharply in the middle of the room and listening for the characteristic sound of the echo in the midrange. Slap echo destroys the sound quality of a stereo system in two ways:

- It adds harshness to the upper midrange and treble by storing time-domain smearing energy.
- It destroys the delicate phase relationships, which help to establish an accurate soundstage.

Slap echo (see Figure 3) is a common acoustical problem in the typical domestic listening room because most of these rooms have walls with a hard, reflective nature, only occasionally interrupted by curtains, wall art, or drapes. The best (but least practical) solution to eliminate slap echo is nonparallel walls. This is because, rather than support slap-echo, nonparallel walls allow the sound to diffuse. This approach can be accounted for during the construction process. For existing rooms, slap echo can also be controlled entirely by the application of absorptive materials to the hard surfaces. These are absorp-

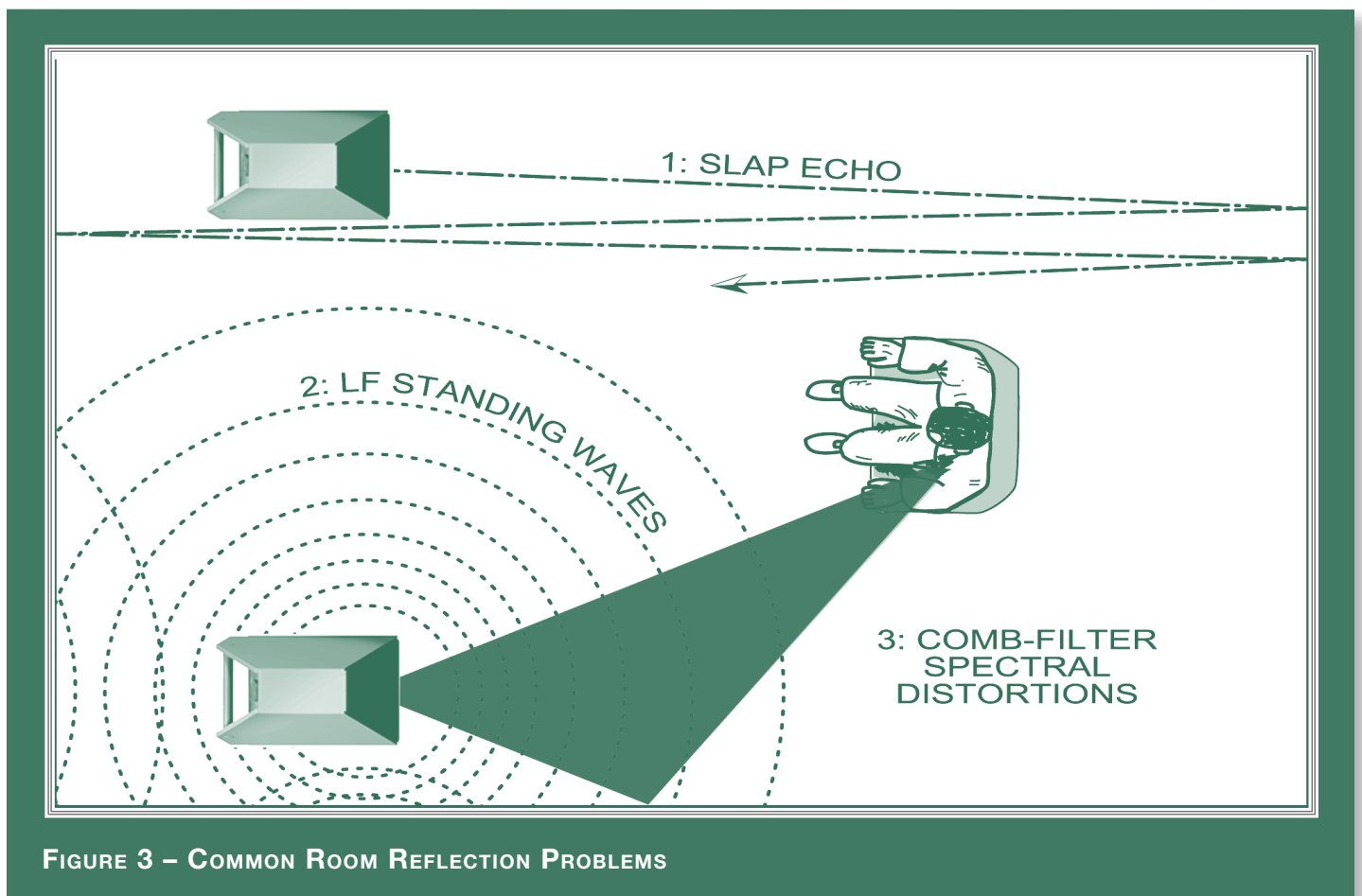


FIGURE 3 – COMMON ROOM REFLECTION PROBLEMS

tive materials that can be used to ameliorate slap echo:

- Illbruck Sonex®
- Air duct board
- Large ceiling to floor drapes
- Carpeting to wall surfaces

In many domestic listening environments, heavy stuffed furnishings reduce slap echo somewhat. Unfortunately, their effectiveness is not predictable. Diffusers are sometimes also used to very good subjective effect, particularly in quite large rooms. Sound absorbent materials such as described above will alter the tonal characteristic of the room by making it sound “deader,” less “bright and alive,” and “quieter.” These changes usually make the room more pleasant for conversation, but sometimes render it too dull in the high frequencies to be musically involving. Soundtrack effects will be more localized. However, over-damping the room skews the tonal balance unnaturally toward the bass, and also compresses dynamics, robbing the system of musical life excitement.

Diffusers, on the other hand, do not affect the tonal balance characteristic of the room as much. Placed properly, diffusers create a smoother and more open sound. Some diffusers, due to their construction, create narrow midrange peaks and suck out the warmth region. Do not use diffusers on the wall behind the speakers or on the sidewalls directly beside the speakers. It is our experience that all of these room treatment devices should be used judiciously.

Standing Waves

Another type of reflection phenomenon is “standing waves.” Standing waves cause the unnatural boosting or accentuation of certain frequencies, typically in the bass, to be

found at certain discreet locations in the room. These locations differ according to room dimension and size. A room generating severe standing waves creates difficulty in setup. In these rooms, the speaker will sound radically different as it is moved around. The effects of standing waves on a loudspeaker's performance are primarily in the areas listed.

- Tonal balance
- Resolution of low-level detail
- Soundstaging

Standing waves are more difficult to correct than slap echo because they tend to occur at a lower frequency. Absorbent materials, such as Illbruck Sonex®, are ineffective at controlling reflections in the bass region. Moving speakers about slightly in the room is, for most people, their only control over standing waves. Sometimes a change of placement of as little as two or three inches can dramatically alter the tonal balance of a small system.

Fortunately, minor low frequency standing waves are well controlled by positioning ASC Tube Traps™ in the corners of the room. Very serious low frequency accentuation usually requires a custom-designed bass trap system.

Low frequency standing waves can be particularly troublesome in rooms constructed of concrete or brick. These materials trap the bass in the room unless it is allowed to leak out of the room through windows and doors.

In general, placement of the speaker in a corner will excite the maximal number of standing waves in a room and is to be avoided for most direct radiator, full-range loudspeaker systems. Some benefit is achieved by placing the stereo pair of loudspeakers slightly asymmetrically in the listening room. This is so the standing waves caused by the distance between one speaker and its adjacent walls and floors are not the same as the standing wave frequencies excited by the dimensions in the other channel.

Comb Filter Effect

The “comb filter” effect is a special type of standing wave noticeable primarily at higher frequencies and shorter wavelengths.

Acoustical comb filtering occurs when sound from a single source, such as a loudspeaker, is directed toward a microphone or listener from a distance. The first sound to reach the microphone is the direct sound, followed by a delayed, reflected sound. At certain frequencies, cancellation occurs because the reflected sound lags in phase relative to the direct sound. This cancellation is most apparent where the two frequencies are 180 degrees out of phase. Further, there is augmentation at other frequencies where the direct and the reflected sounds arrive in phase. Because it is a function of wavelength, the comb filter effect will notch out portions of the audio spectrum at linearly spaced intervals. Subjectively, comb filter effect evidences itself as follows:

- Added roughness to the sound
- Reduction of harmonic richness
- Smearing of lateral soundstage image focus and placement

Comb filter effects are often caused by side wall reflections. They are best controlled by very careful speaker placement and by the judicious placement of Illbruck Sonex® or air duct panels applied to that part of the wall where the reflection occurs.

Section 3.3—Resonances

Resonance in listening rooms is generally caused by two sources:

- Structures within the listening room.
- The volume of air itself within the listening room.

Structural Resonance

Structural resonances are familiar to most people as buzzes and rattles, but this type of resonance usually only occurs at extremely high volume levels and is usually masked by the music. In many wood frame rooms the most common type of structural resonance problem is “booming” of walls and floors. You can test for these very easily by tapping the wall with the palm of your hand or stomping on the floor. Most rooms exhibit mid-bass “boom” when struck. The loudspeaker playing in the room also excites these resonances. To give you an idea of what the perfect wall would sound like, imagine rapping your hand against the side of a mountain. Structural wall resonances generally occur in the low to mid-bass frequencies and add a false fullness to the tonal balance. They, too, are more prominent at louder levels, but their contribution to the sound of the speaker is more progressive. Rattling windows, picture frames, lamp shades, etc., can generally be silenced with small pieces of caulk or with blocks of felt. However, short of actually adding additional layers of sheet rock to flimsy walls, there is little that can be done to eliminate wall resonances.

Volume Resonance

The physical dimensions and volume of air in a room will also support standing wave modes and resonances at frequencies determined by the size of that room. Larger rooms will resonate at a lower frequency and have more complex (better) modal distributions than will smaller rooms. Volume resonances, wall panel resonances, and low frequency standing waves combine to form a low frequency coloration in the sound. At its worst, it is a grossly exaggerated fullness, which tends to obscure detail and distort the natural tonal balance of the speaker system.

Occasionally, however, there is just enough resonance to give a little added warmth to the sound – an addition some listeners prefer. Careful placement of loudspeakers in the room can dramatically reduce the speakers’ destructive interaction with low frequency modes. ASC Tube Traps™ are effective in reducing some of this low frequency room col-

oration. Custom designed bass traps, such as perforated Helmholtz resonators, provide the greatest degree of low frequency control.

Section 3.4—Your Room

Room Shapes

Standing waves are pressure waves propagated by the interaction of sound and opposing parallel walls. This interaction creates patterns of low and high acoustical pressure zones that accentuate and attenuate particular frequencies. Those frequencies are dependent on room size and dimension.

There are three basic shapes for most rooms: square, rectangular, and L-shaped (see Figure 4).

A perfectly square room is the most difficult room in which to set up speakers. By virtue of its shape, a square room is the perfect medium for building and sustaining standing waves. These rooms heavily influence the music played by loudspeakers, greatly diminishing the listening experience.

Long, narrow, rectangular rooms also pose their own special acoustical problems for speaker setup. They have the ability to create several standing wave nodes, which will have different standing wave frequency exaggerations depending on where you are sitting. Additionally, these long rooms are often quite lean in the bass near the center of the room. Rectangular rooms are still preferred to square rooms because, by having two sets of dissimilar length walls, standing waves are not as strongly reinforced and will dissipate more quickly than in a square room. In these rooms, the preferred speaker position for spatial placement and midrange resolution would be on the longer walls. Bass response would be reinforced by speaker placement on the short walls.

In many cases, L-shaped rooms (see Figure 4) offer the best environment for speaker setup. Ideally, speakers should be set up along the primary (longest) leg of the room. They

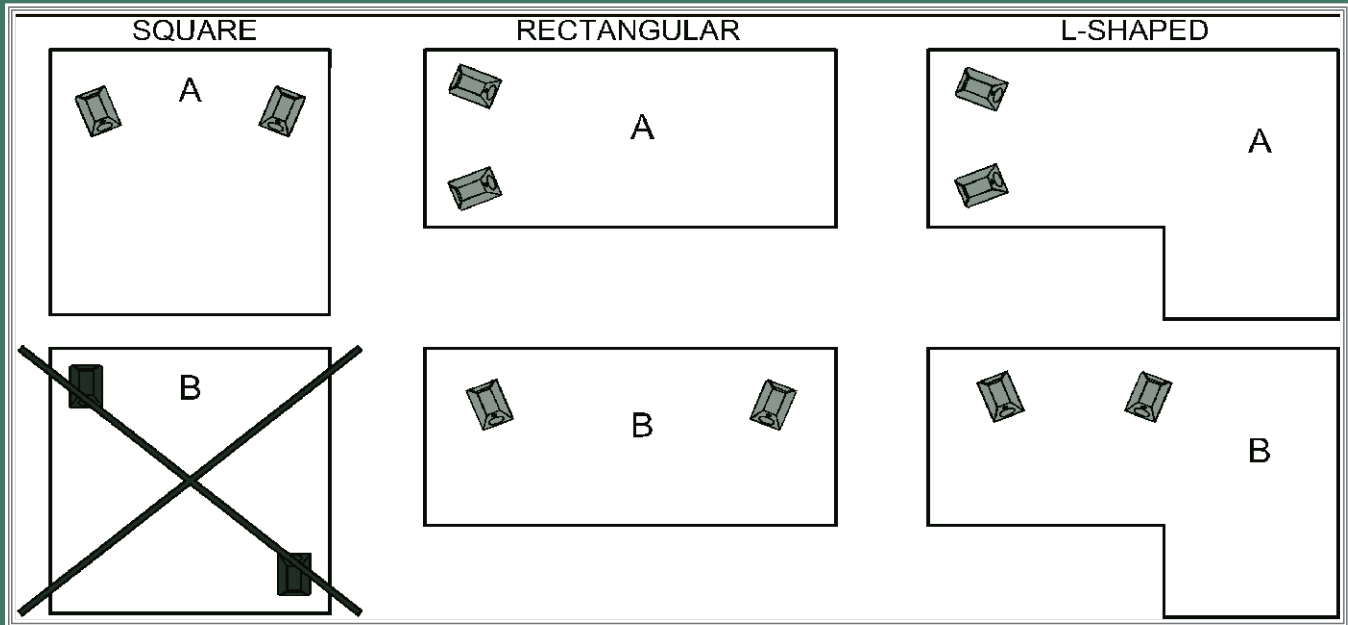


FIGURE 4 – POSSIBLE LOUDSPEAKER PLACEMENT WITHIN VARIOUS ROOM SHAPES

should fire from the end of the leg (short wall) toward the L, or they should be along the longest wall. In this way, both speakers are firing the same distance to the back wall. The asymmetry of the walls in L-shaped rooms resists the buildup of standing waves (see Figure 4).

Speaker Placement Versus Listening Position

The location of your listening position is as important as the careful setup of your Wilson Audio loudspeakers. The listening position should ideally be no more than 1.1 to 1.25 times the distance between the tweeters on each speaker. Therefore, in a long, rectangular room of 12' x 18', if the speaker tweeters are going to be 9' apart, you should be sitting 9'11" to 11'3" from the speaker. This would be more than halfway down the long axis of the room.

Many people place the speakers on one end and sit at the other end of the room. This approach will not yield the finest sound. Carefully consider your listening position. Our experience has shown that any listening position that places your head closer than 14"

from a room boundary will diminish the sonic results of your listening.

Speaker Orientation

Speaker placement and orientation are two of the most important considerations in obtaining superior sound. The first thing you need to do is eliminate the sidewalls as a sonic influence in your system. Speakers placed too close to the sidewalls will suffer from a strong primary reflection. This can cause out-of-phase cancellations, or comb filtering, which will cancel some frequencies and change the tonal balance of the music. The Wilson Audio Setup Procedure (Section 3.1) is the best method with which to position your loudspeakers. Start with the speakers about 18" from each wall (as measured from the rear of the enclosure) and, if you need to move them relative to the side wall, move them away from the wall, not closer.

A very important aspect of speaker placement is how far from the back wall to place the speakers. The closer a loudspeaker is to the back wall, the more pronounced the low bass energy and centering of the image will be. However, this comes at a definite reduction in stage size and bloom as well as a deterioration of upper bass quality. You must find the proper balance of these two factors, but remember, if you are partial to bass response or air and bloom, do not overcompensate your adjustments to maximize these effects. Overcompensated systems are sometimes pleasing in the short-term, but long-term satisfaction is always achieved through proper balance.

Center Channel

After determining the general area for the Left and Right channels, determine the best place for your Center channel. The following center channel configurations are possible:

- On the floor with the speaker angled up towards the listener.
- Mounted on a stand with no upward rotation.

- Mounted on a stand with longer spikes in the front of the stand and shorter spikes in the back, allowing the stand and speaker to be rotated up toward the listener.

Each of these options allow for some fine-tuning of the Mezzo Convergent Synergy placement. A poor placement of the Mezzo Convergent Synergy will hamper its integration with the rest of the system. As a general rule, the distance from the main Left and Right channels, as well as the Mezzo Convergent Synergy (as measured from the tweeters) should be equal in their relationship to the listening position. This maintains the time coherence of the three front loudspeakers. Ultimately, the Mezzo Convergent Synergy phase delay correction will be made via the sliding tweeter module.

Wilson recommends that the Mezzo Convergent Synergy be positioned as centrally between the Left and Right speakers as possible. Using the Wilson Audio Setup Procedure, experiment with the fore to aft placement of the Mezzo Convergent Synergy. This process will help you find the location that offers the smoothest left, right, and center channel integration.

Surround Channel

Wilson Audio has done everything possible to eliminate the boundary interactions caused by mounting a speaker onto the wall. The mounting bracket allows for significant improvements in detail, speed, and clarity. The Surround channels will perform well in almost any location in which they are placed. The mounting bracket and the careful design of the Surround channel have eliminated most of the sonic problems encountered when placing a standard speaker too close to a boundary. Nevertheless, we have performed extensive testing on the Surround channel and found that significant improvement on speaker linearity and integration can be achieved by careful selection of the Surround channel mounting location.

We realize that the location of the Surround channel is generally set by the archi-

texture of the room. However, if you have some flexibility in locating your Surrounds, we suggest that you use the Wilson Setup Procedure (WASP) to find the Zone of Neutrality. Be sure to listen for room modes and frequency response peaks or dips.

WATCH Dog and Thor's Hammer Passive Subwoofers

Because the WATCH Dog and Thor's Hammer's frequency range is limited to the sub-frequency bass range, its placement requirements are slightly different than for a full frequency speaker. The ideal position of the WATCH Dog passive subwoofer is somewhat dependent on its primary use. In home theaters, where the Wilson subwoofers is used as the Low Frequency Effects (LFE) channel, it may be located in a variety of positions, depending on architectural considerations. In general, the lower frequency range will be reinforced by room boundaries and corners. Since most of the information contained in the LFE channel is in the sub-frequency bass range, with little information in the mid and upper bass, there are some advantages to placing wither Wilson subwoofer near the room boundaries or near a corner. Some care is needed to avoid introducing upper-bass colorations caused by corner placement. While surround processors provide the low frequency equalized signal for the LFE Channel, it has been our experience that in some systems it is desirable to use the Low Pass crossover (via the Wilson Controller) to additionally limit upper bass range. This is particularly important and useful when the WATCH Dog or Thor's Hammer is placed in the corner. Since all Wilson Audio Speakers are phase and time coherent, it is very important to time align any Wilson subwoofer in the room using the Phase Control on the Controller (see Controller owner's manual).

SECTION 4—INITIAL SETUP



Note: Before setting up the Mezzo Convergent Synergy, study carefully Section 3, “In Your Room.” It provides valuable information on determining the ideal room location for your speakers.

Section 4.1—Initial Setup

Preparation

You will need the following items:

- Supplied hardware kit
- Tape measureKnown listening position

Your dealer is trained in the art and science of the Wilson Audio Setup Procedure (WASP) outlined in Section 3, and Wilson Audio recommends dealer installation of your new loudspeaker.

Section 4.2—Mezzo Convergent Synergy Spikes

Note: Please read Section 5—Final Voicing before spiking the Mezzo.

The Mezzo Convergent Synergy comes with hardware necessary to properly spike it to the floor. This will allow the speaker to be tilted to a variety of angles. These spikes also provide acoustical isolation as well as optimal height placement for your speakers. There are three ways of assembling the spikes (without diodes, without spacers, or with one or two spacers), and your choice will depend on the location of the Mezzo Convergent Synergy and personal tastes. While the Mezzo Convergent Synergy baffle is designed such that the front baffle is angled upward toward the listener, the spacers are provided to allow for additional rotation of the Mezzo Convergent Synergy, such as for installations where the listening position is close to the loudspeakers. If the speaker is floor mounted, additional upward tilt may be desirable so the drivers are firing towards the listener. If the speaker is

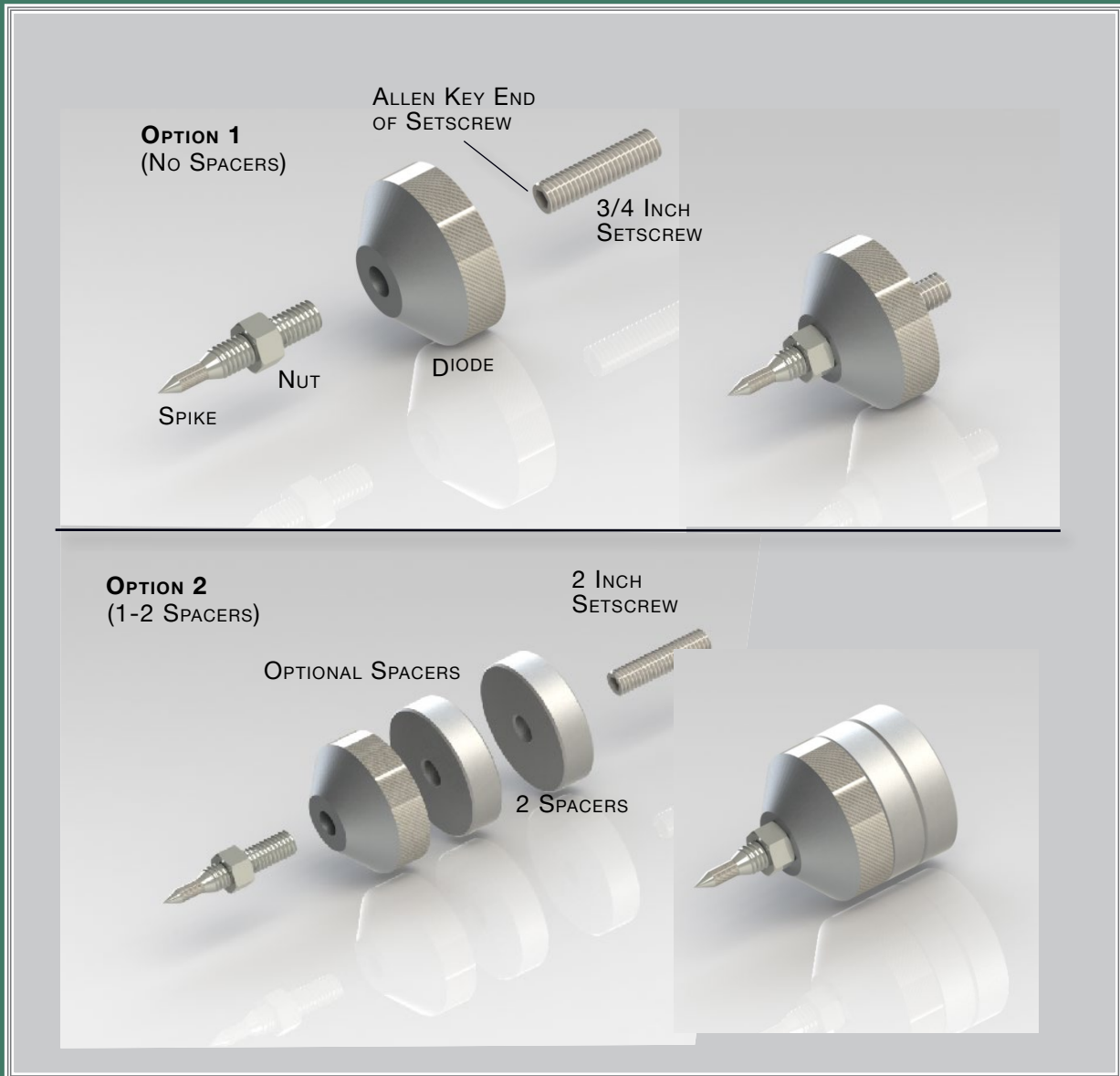


FIGURE 5 – MEZZO CONVERGENT SYNERGY SPIKES ASSEMBLY DIAGRAM

mounted above the listening ear height, it will need to be raised more in the back so the speaker is firing down toward the listener.

After determining the required rotation for the Mezzo Convergent Synergy, Sections 4.3-4.6, assemble the spikes as follows:

Assembly

1. Remove the threaded inserts from the bottom of the Mezzo Convergent Synergy.
2. Insert threaded set screws into the bolt holes located on the bottom of your Mezzo with the Allen head facing out.
3. Screw the acoustical diode onto the bolt until it fits snugly against the bottom of the Mezzo Convergent Synergy. Do not overtighten.
4. Screw the spike (with nut) all the way in until it just touches the bolt. Do not tighten the nut at this time.
5. Repeat steps 1 through 4 with the other spikes.
6. Using a spirit level placed on the top, flat surface of the Mezzo, make sure it is level, both front-to-back and side-to-side. Make adjustments in the appropriate spikes if the loudspeaker is not level.

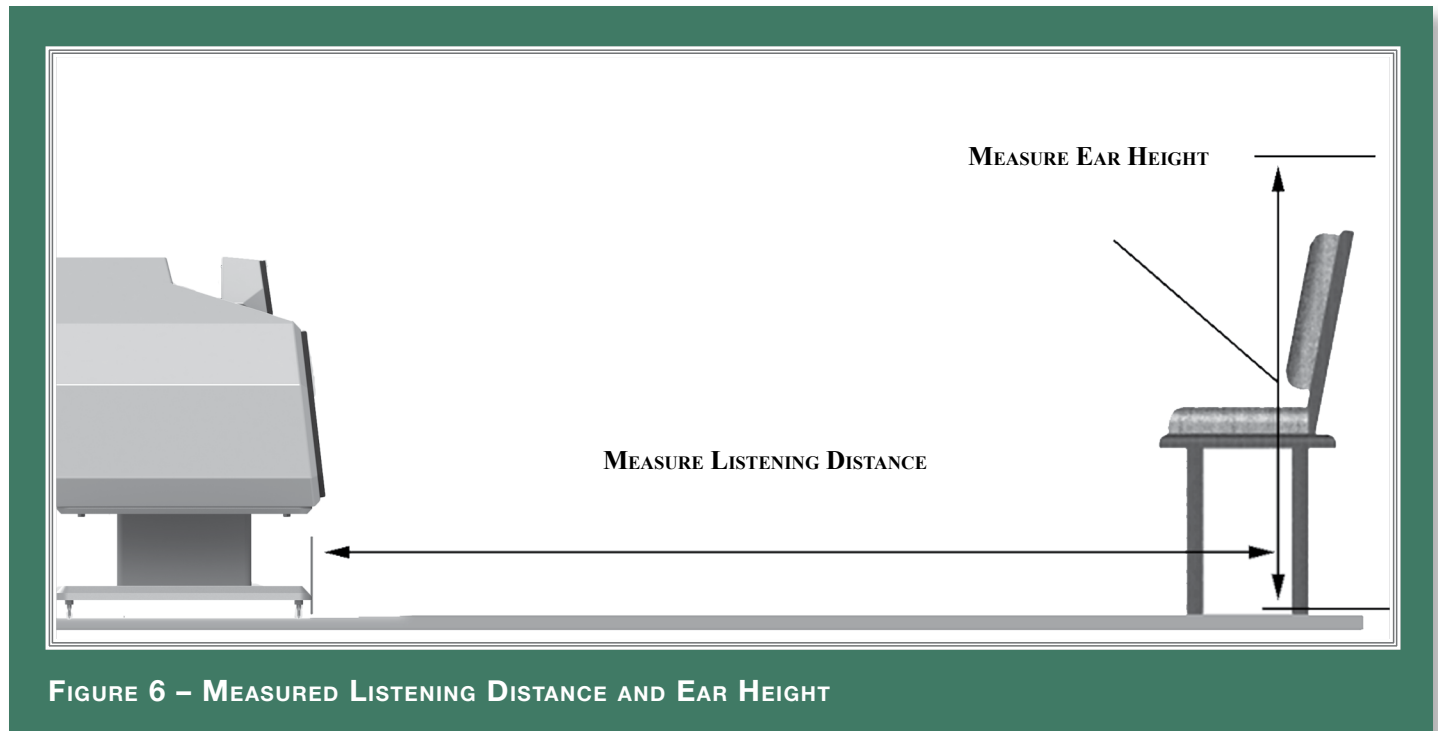


FIGURE 6 – MEASURED LISTENING DISTANCE AND EAR HEIGHT

7. Using the 9/16" combination wrench, tighten the nut snug against the diode to prevent the spike assembly from coming loose.
8. If required, place the corresponding number of spacer discs over the bolt.

Section 4.3—Measured Listening Position

Room Setup

The Mezzo Convergent Synergy allows for different listening distances (away from the speakers) and listening ear heights (measured distances from the floor up to your ear canal); see Figure 6 on the preceding page. Propagation Delay Correction accuracy of the Mezzo Convergent Synergy has been established and verified at Wilson Audio's R&D laboratory. The tables outlining the settings for adjustments are in Section 10 of this owner's manual. The correction tables used in this section are a result of this testing. For each distance/ear height combination there is a unique alignment geometry. To make correct in-home setup of the Mezzo Convergent Synergy possible without test equipment, Wilson Audio has measured the correct geometric PDC (phase delay correction) alignment for different distance/ear height combinations. By measuring the ear height and the distance from the speaker to the listening position, you will be able to align the system for your listening position.

Mezzo Convergent Synergy Configurations

The Mezzo Convergent Synergy has been designed to accommodate most any mount-

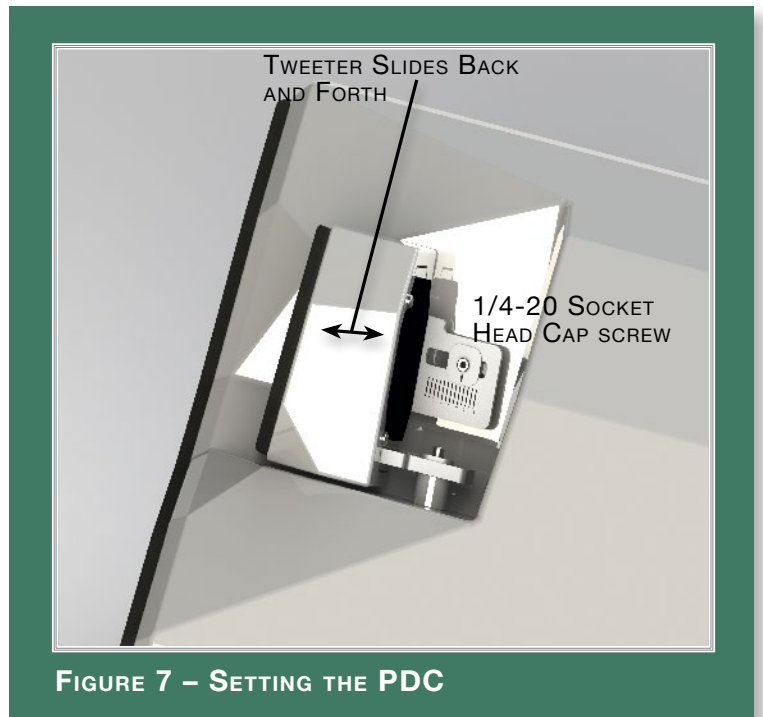


FIGURE 7 – SETTING THE PDC

ing location. The Mezzo has been optimized for use with its purpose-built stand. When you mount the Mezzo Convergent Synergy in most other locations you will begin to see more boundary interactions, which may alter the performance of the loudspeaker. Nevertheless, the Mezzo Convergent Synergy will certainly out-perform any other center-type loudspeaker (with the exception of the Wilson Audio Polaris) regardless of its placement.

Placing the Mezzo Convergent Synergy in any location other than on the its purpose-built stand will require the Mezzo to be rotated vertically such that precisely faces towards the listening position. This will allow the Mezzo Convergent Synergy to take advantage of the propagation delay correction technology (PDC). Simply placing the Mezzo Convergent Synergy in a location without following the directions below will hinder its performance. With the correct PDC you will find the vocals and dialogue more realistic and satisfying. As with any component in your system that offers increased resolution and detail, a careful setup is required.

There are four different setup procedures depending on your Mezzo Convergent Synergy location. The possible Mezzo Convergent Synergy configurations are as follows:

Section 4.4—Setup #1 Mezzo Convergent Synergy on Floor

Section 4.5—Setup #2 Mezzo Convergent Synergy on Stand

Section 4.6—Setup #3 Mezzo Convergent Synergy on Custom Stand or Shelf

Section 4.7—Setup #4 Mezzo Convergent Synergy on the Hourglass Stand

Please proceed to the indicated section for your particular installation for detailed setup instructions.

Section 4.4—Setup #1 Mezzo Convergent Synergy on Floor

Note: Please read Section 5—Final Voicing before spiking the Mezzo.

The floor mounted Mezzo Convergent Synergy must be rotated up toward the listening position. This is done by using a taller spike in the front than in the back of the speaker

(see Figure 8). The default rotation is set by using a combination of a spike, nut, and a

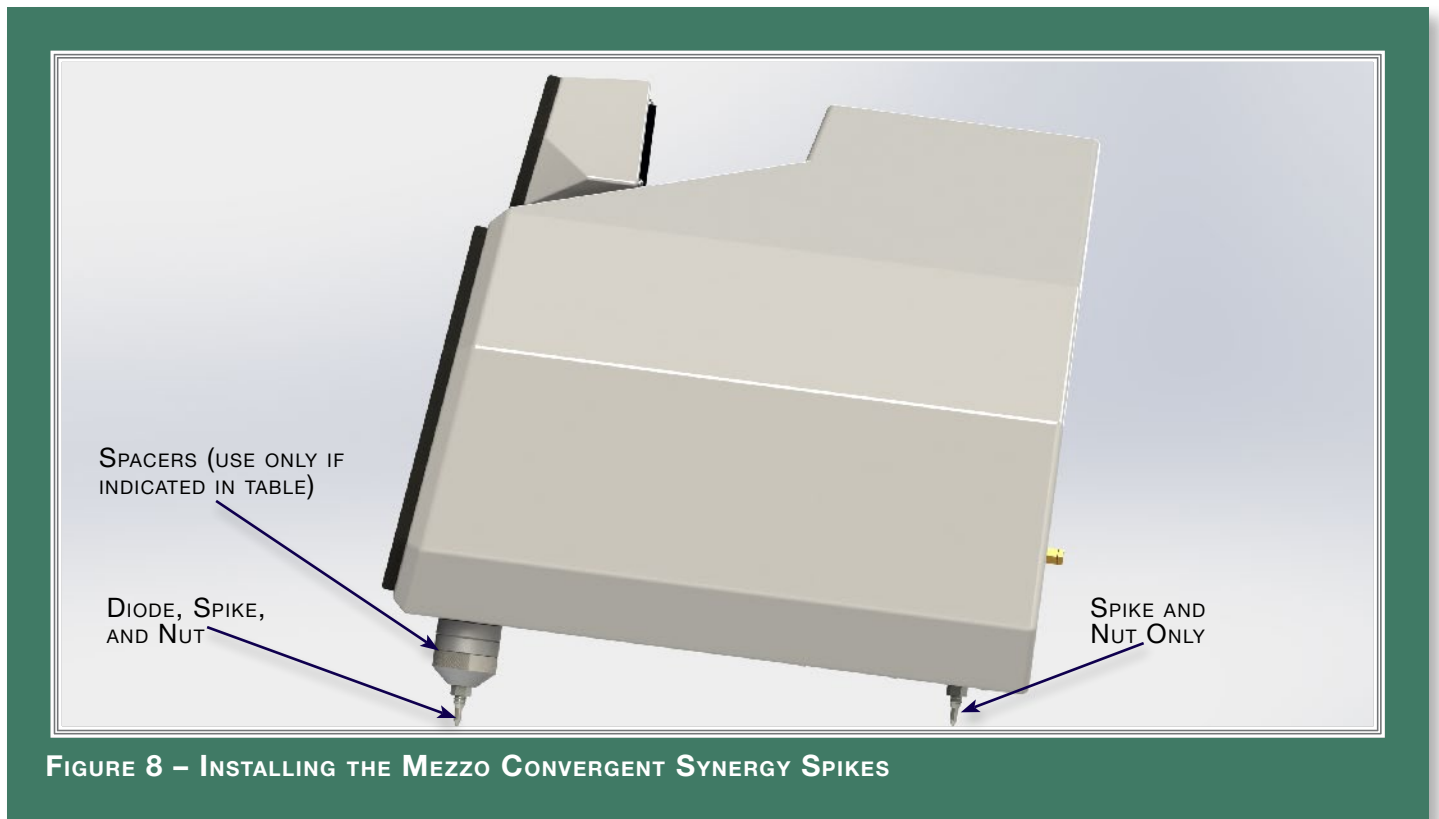


FIGURE 8 – INSTALLING THE MEZZO CONVERGENT SYNERGY SPIKES

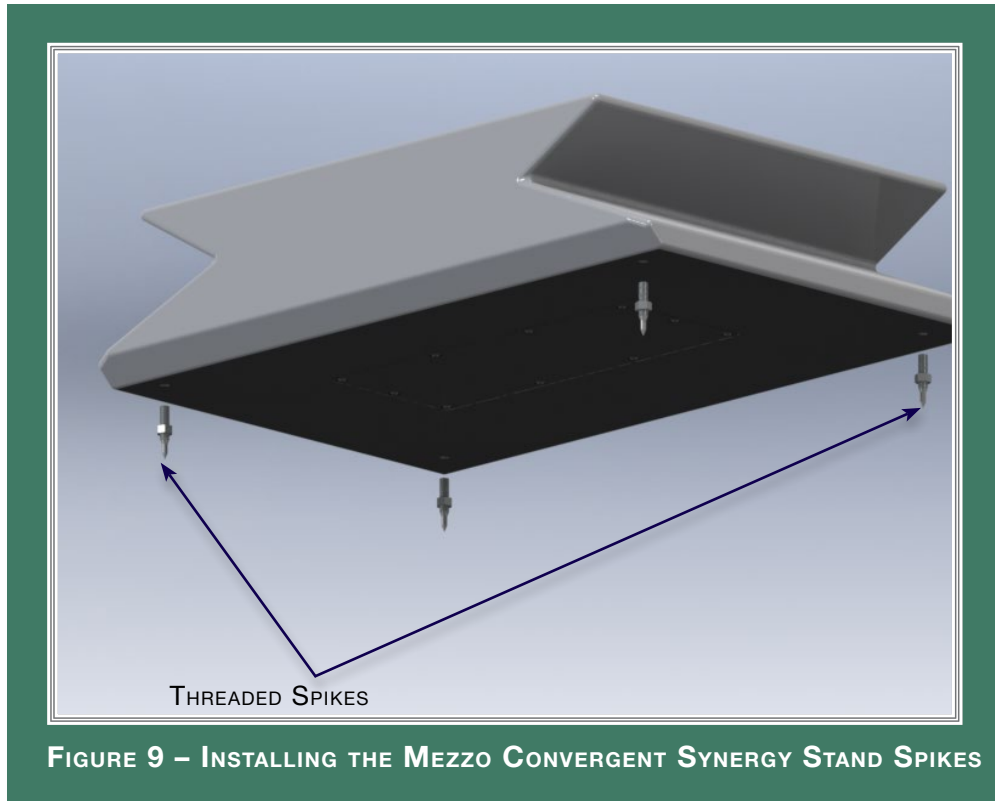
diode. If required, additional rotation can be achieved by using the provided 1/2" spacers between the diode and the bottom of the cabinet (see Figure 8). The amount of rotation depends on your listening position.

Set the rotation as follows:

1. Remove the casters from the bottom of the Mezzo Convergent Synergy. Insert the spike with nut in their place. Turn to Section 10, table 1, locate your listening position on the table.
2. Assemble the front spikes with the listed diode/spacer combination in Table 1 (see also Figure 5).
3. Install the spikes as shown in Figure 9 above.

Note: the material used for the bottom of the Mezzo Convergent Synergy Wilson's pro-

proprietary high density composite X-material. While very hard, X-material is easily cross threaded when installing the spikes. Be careful that the spike thread is engaging properly into the bottom.



- 4. Carefully lift the Mezzo Convergent Synergy into the desired location and set it down.

Note: Four small brass disks have been provided for use as spike pads. Place these under the spikes to protect the finish of your floors.

- 5. Turn to Section 4.7 for final assembly instructions.

Section 4.5—Setup #2 Mezzo Convergent Synergy on a Stand

1. Set the stand in the desired listening location.
2. Referring to Section 4.2, attach the spikes to the bottom of the stand by screwing the spike and nut combination until the nut is flush with the bottom



FIGURE 10 – BOLTING THE MEZZO CONVERGENT SYNERGY TO THE STAND

(See Figure 9).

Note: Do not tighten the nut at this time. Wait until the fine-tuning has been completed for the entire system and the speaker has been leveled.

Note: Four small brass disks have been provided for use as spike pads. Place these under the spikes to protect the finish of your floors.

3. Using provided 3/16 Allen wrench, remove the 4 setscrews from the bottom of the Mezzo Convergent Synergy. Keep these as they are the setscrews needed to assemble your spikes and may be required during final setup.

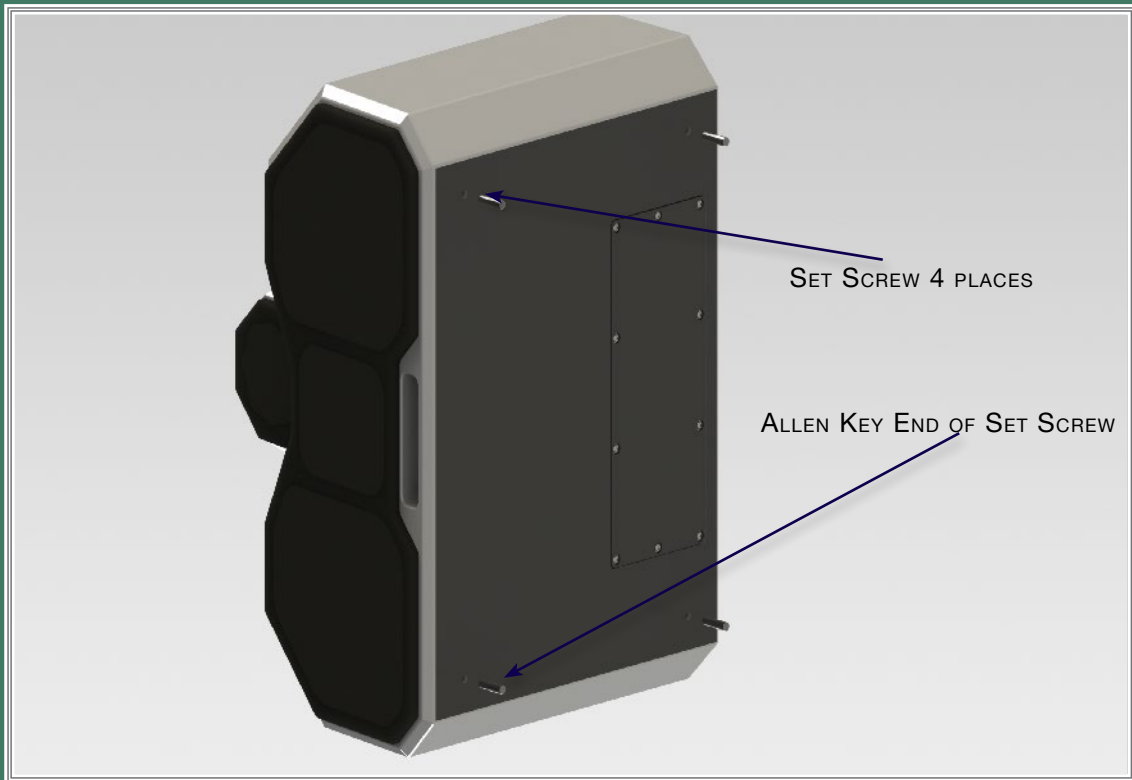


FIGURE 11 – LOCATING THE SET SCREWS

4. Bolt the Mezzo Convergent Synergy to the stand using the four 3/8 – 16 threaded socket head cap screws and washer provided (see Figure 10).

Note: Do not overtighten the bolts; a snug fit is all that is required to secure the Mezzo Convergent Synergy to the stand.

5. Turn to Section 4.7 for final assembly instructions.

The Hourglass Stand

1. Set the stand in the desired listening location.

Note: Please read Section 5—Final Voicing before spiking the Mezzo.

2. Attach the spikes to the bottom of the stand by screwing the spike and nut combination until the nut is flush with the bottom.

Mount the set screws into the bottom of the Mezzo Convergent Synergy (Figure 11).

The Mezzo mounts on top of the Hourglass stand, but does not bolt to it. The setscrews sit inside the holes in the top of the stand.

Section 4.6—Set Up #3 Mezzo Convergent Synergy on Custom Stand or Shelf

The speaker should be rotated so that the midrange drivers are firing just below the listening position. Once you have made and mounted the custom bracket, setup the Mezzo Convergent Synergy as follows:

1. Lay the Mezzo Convergent Synergy onto its side.
2. Using the provided 3/16 Allen wrench, back out the 4 setscrews from the bottom of the Mezzo Convergent Synergy to the desired length.

Note: Be sure that the Allen key end of the setscrew is facing out.

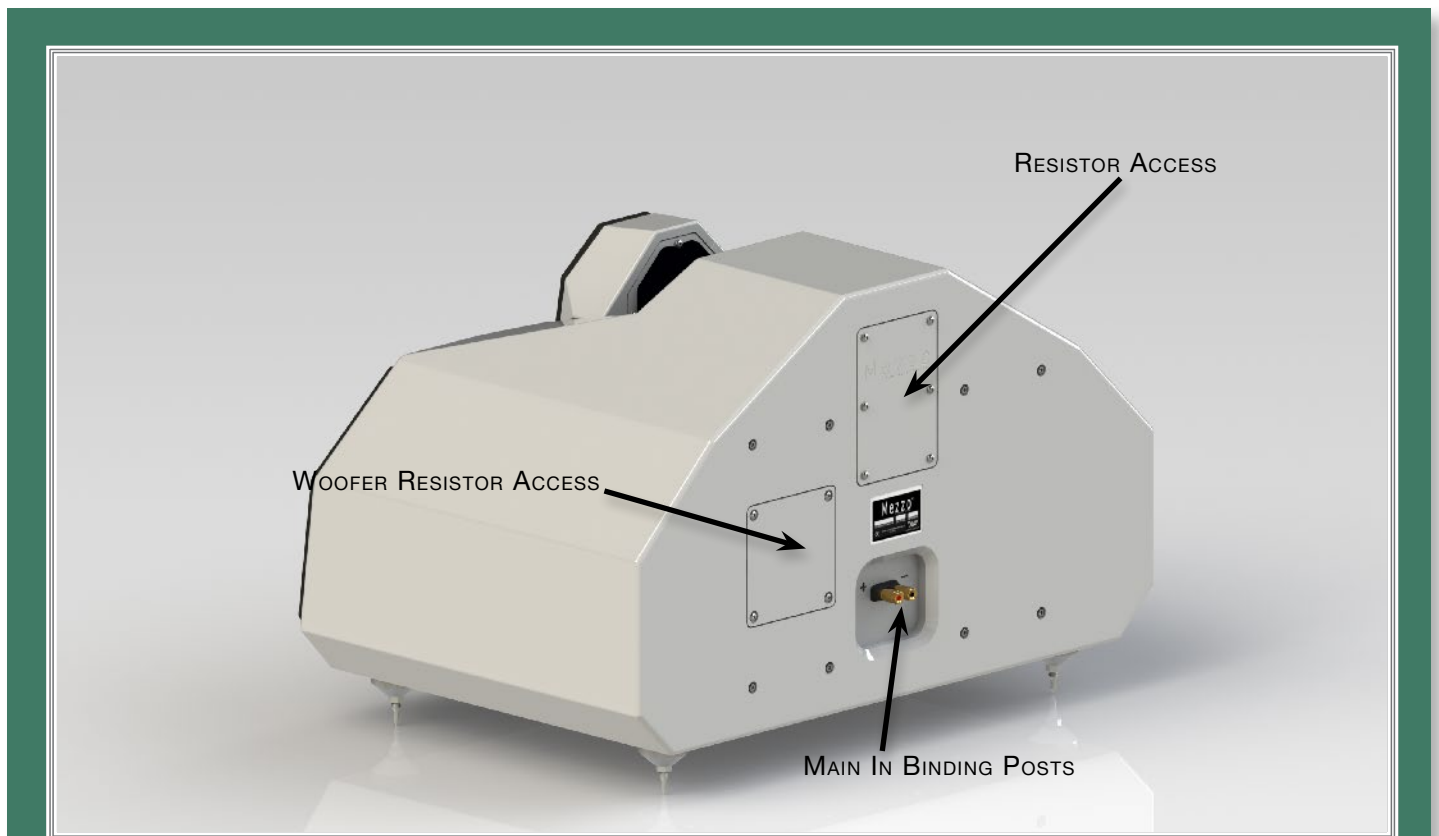


FIGURE 12 – MEZZO CONVERGENT SYNERGY CABLE CONNECTION AND RESISTOR ACCESS

Carefully lift the Mezzo Convergent Synergy and set the threaded setscrews into the 4 mounting holes located on the top of the mounted custom shelf.

3. Using the provided 3/8 – 16 nut, bolt the Mezzo Convergent Synergy to the mounting bracket.
4. Turn to Section 4.7 for final assembly instructions.

Note: Be careful when loosening or tightening the screws that you do not damage the painted finish.

Section 4.7—Connecting Speaker to Amplifier

Speaker Cables

The high current input terminals located on the rear of your Mezzo Convergent Synergy loudspeaker are color coded so that RED (marked “+”) corresponds to positive and BLACK (marked “-”) to negative, common, or ground on the amplifier output. Be sure to connect the loudspeakers in phase with each other. We recommend the use of the very

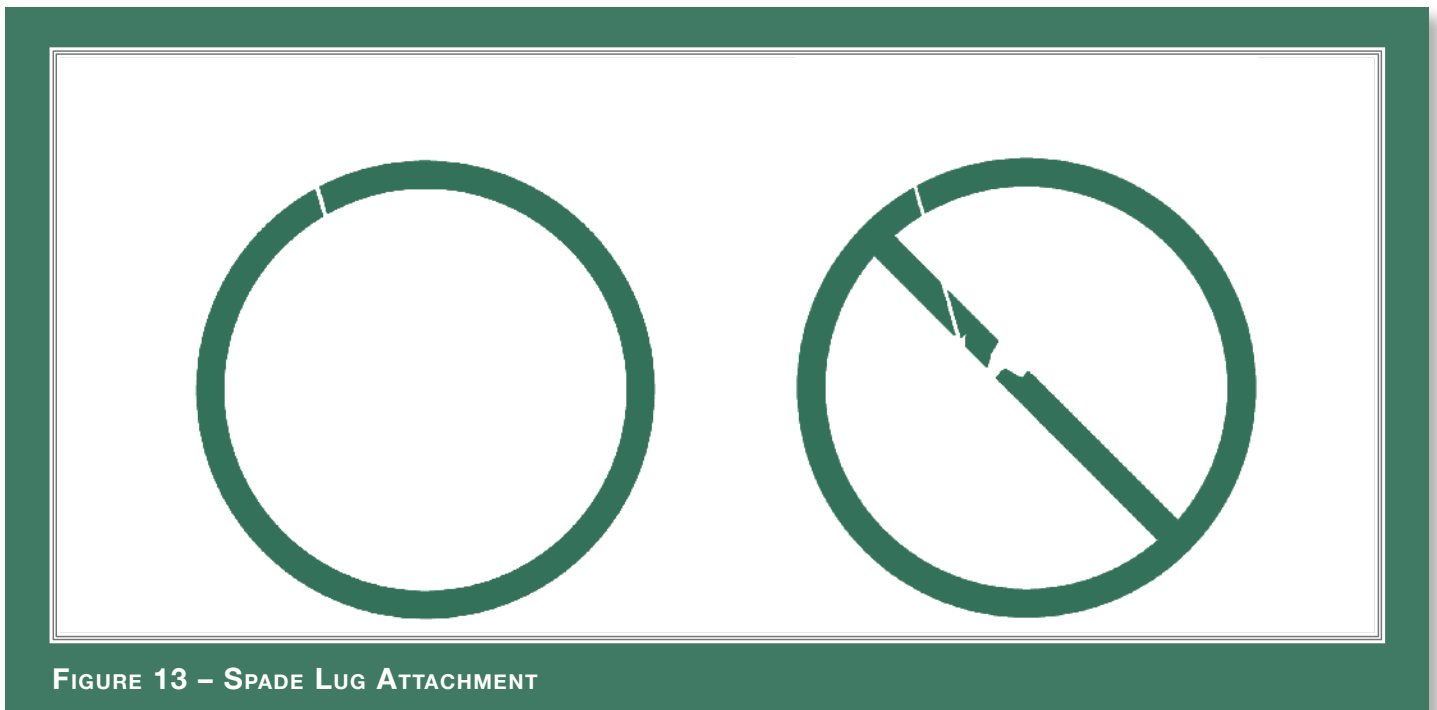


FIGURE 13 – SPADE LUG ATTACHMENT

highest quality loudspeaker cables, particularly those designed for high frequency propagation correction and phase linearity. Beware of “zip cord” type speaker cables, which will smear the sound and limit their effective bandwidth. Also, do not use braided litz-type loudspeaker cables as they will cause an unnatural brightness to the sound, compromise sound staging performance, and may cause instability, oscillation, and damage in wide bandwidth solid state amplifiers.

Spade Lugs

The spade lugs of some of the high quality cables often used with the Mezzo Convergent Synergy are *angled* to reduce pressures on the cable during installation. Avoid the instinct to push the cable’s spade lug ends all the way into the Mezzo Convergent Synergy’s connectors (see Figure 13). Partial insertion of these *angled* spade lugs will actually improve the reliability of the connection. Flat lugs may be fully inserted to connectors before tightening.

Connection of the Mezzo Convergent Synergy to the Power Amplifier

1. Turn off the power amplifier(s) and remove the AC power cord from the wall outlet.
2. Lay out the speaker cables before hooking them up to the Mezzo Convergent Synergy. Make sure that there are no *kinks, twists, or right-angled bends* in the cable. If you need to turn corners, attempt to use a gradual curve as opposed to a severe right-angled bend.
3. Connect the negative (normally black) end of the speaker cable to the high current speaker binding post with the silk-screened “-” above it (see Figure 12).

Note: Do not overtighten the binding posts. Overtightening can cause the posts to break off.

4. Connect the positive (normally red) end of the speaker cable to the high cur-

rent speaker binding post with the silk-screened “+” above it.

5. Plug your amplifier(s) AC power cord into the wall outlet.

Note: Always attempt to keep your set (LRC) of speaker cables the same length. This will ensure that the signals arrive at each speaker in the proper time frame, by traveling the same distance to each speaker.

Mezzo Convergent Synergy Setup Completed

This completes the initial setup of your Mezzo Convergent Synergy. Final system tuning and voicing should be performed as outlined in Section 5. Section 5 will evaluate your entire speaker setup and allow you to make small modifications in speaker rotation and location that will greatly improve the performance of your multi-channel audio or home theater system.

SECTION 5 — TUNING AND VOICING



Section 5.1—Final Tuning and Voicing

This loudspeaker placement method was developed by David A. Wilson, for Wilson Audio Specialties, Inc., to find optimum loudspeaker locations in any given room within one hour. Participating in numerous audio/multi-channel/home theater shows with very different and difficult acoustic environments necessitated this procedure. Currently, all Wilson Audio dealers employ this setup procedure for their customers, in order to quickly and predictably achieve the best performance from their systems (this procedure can be used successfully with ANY moving coil speaker system).

Proper system calibration is the most important step in the setup of your multi-channel/home theater system. The WATCH system offers increased resolution and overall system performance. This increased resolution allows you to fine tune your system, thus increasing overall performance, more than any other system available.

Fine tuning and “voicing” generally involve only small changes in location and rotation (or toe) of your multi-channel system. With proper calibration you will find that changes as small as 1 inch will have an impact on the performance of your system. The following sections will step you through this fine tuning process. The setup will be done as follows:

- Set up of Left and Right channels with all other speakers disconnected.
- Add the Mezzo Convergent Synergy.
- Add the Surround channels.
- Add the Subwoofer.

Adding one speaker at a time will allow you to easily evaluate the integration with the system and make the necessary adjustments to fine tune the setup.

Section 5.2—Left and Right Channels

Determining Front to Back Distance

The proper setup of the left and right channels is crucial for optimum system performance. If these speakers are not set up correctly, the entire system will suffer from poor integration. Please follow these steps carefully:

- Place the speaker in an appropriate location relative to your screen and listening area. (Leave the Mezzo Convergent Synergy on the caster for this process.)
- Toe the speakers in so that you can just barely see the inside edge when seated in the primary listening position.
- Using removable masking tape, graph off the floor so that you can accurately move both speakers forward and backward in 1/2 inch increments.
- Place your multi-channel processor into stereo mode.
- Using a piece of full range music (dynamic with a lot of low frequency information) played at a moderately high level, take notes on the sound quality. Pay specific attention to upper and lower bass quality, dynamic contrasts, image height, and focus.
- Move the speakers back or forward in 1 inch increments and then 1/2 inch increments.

Note: Moving the speakers BACK will generally increase low bass, sharpen focus, lower image height, and increase dynamics up to the point where you go too far, in which case the sound will start to lose these qualities in addition to becoming boomy and slow sounding. Moving the speakers FORWARD will increase air and bloom, raise image height, and generally increase the sense of space. Moving too far forward will cause the soundstage to become unnaturally high with a lack of focus, dynamics, and low-end extension.

- • Find the front to back location where the bass is tight, dynamics are correct, image is well-focused, and you find the best soundstaging. Mark this as your final front to back location.

Determining Side to Side Distance

The distance the speakers are from the side walls is very important. This distance determines the amount of comb filtering you will hear. In effect, you are “tuning” the comb filter interaction between the speaker and the wall. Perform the side to side analysis as follows:

- Place a piece of tape on the floor parallel to the front edge of the speaker and again mark off 1/2 inch increments side to side.
- Using only one channel/speaker at a time, now determine the optimum position with regard to side walls.

Note: A high quality, solo piano recording works well for this step.

- While music is playing, slowly move the speakers left or right 1 inch then 1/2 inch at a time until you achieve the best harmonic integrity.

You should not need to move the speaker any more than one inch left or right from the original location. Do this independently for each channel. What you will hear when the speaker moves into the correct location is a reduction of hardness and muddled harmonics from the piano.

Note: If you continue moving the speaker past this point, you will begin to hear again this fatiguing artifact.

When you have determined the optimum location for each speaker, mark it carefully with masking tape, and make certain the toe-in is correct. When installing the spikes, the speakers may shift slightly, but you can move them precisely back to the correct location again using your tape markers.

Section 5.3—Integrating the Mezzo Convergent Synergy into Surround System

Note: Many processors offer a setup guide that steps you through the integration of each of the speakers, specifically, setting speaker distances, delays, and phase rotation. These adjustments are made via internal electrical adjustments. We have found that actual geometric changes, that is, moving the speaker location and rotation, offer improved results when integrating speakers. We recommend that you follow the steps outlined below, evaluate your system performance, and then make adjustments in the processor. Ultimately, you will, of course, need to make level adjustments via the processor.

Integrating the Mezzo Convergent Synergy

- The next step in the setup process is to fine tune the location and rotation of the Mezzo Convergent Synergy. Do as follows:
- Place the Mezzo Convergent Synergy centered between the main speakers and even with the front inner edge. Set the spikes as indicated in Section 4.
- Follow the processor instructions on level adjustment. Adjust the level on the Mezzo Convergent Synergy so it matches in level with the left and right channels. Do not be surprised if the Mezzo Convergent Synergy requires 5-7 dB lower adjustment than that of the left and right channels.
- Make sure that only the front Left, Right and Mezzo Convergent Synergy are connected.
- Determine the Mezzo Convergent Synergy is connected with correct polarity. Using a pink noise generator, play pink noise through the Mezzo Convergent Synergy together with alternating Left and Right channels. If the polarity is correct on the Mezzo Convergent Synergy, you will hear the pink noise centered between the Mezzo Convergent Synergy and either the Left or Right speakers. If the polarity is incorrect, you will hear two point

sources that are unfocused and located at each speaker playing.

- With the Mezzo Convergent Synergy spiked, put on a multi-channel audio track or movie scene with which you are familiar.
- Play the selection and listen for the integration with the main speakers. As the audio moves across the three front speakers, listen for a smooth transition from one speaker to the next. You should not hear any voids in the sound stage.
- Make 1/2" changes in front to back location until you find the Mezzo Convergent Synergy location that offers the best integration.

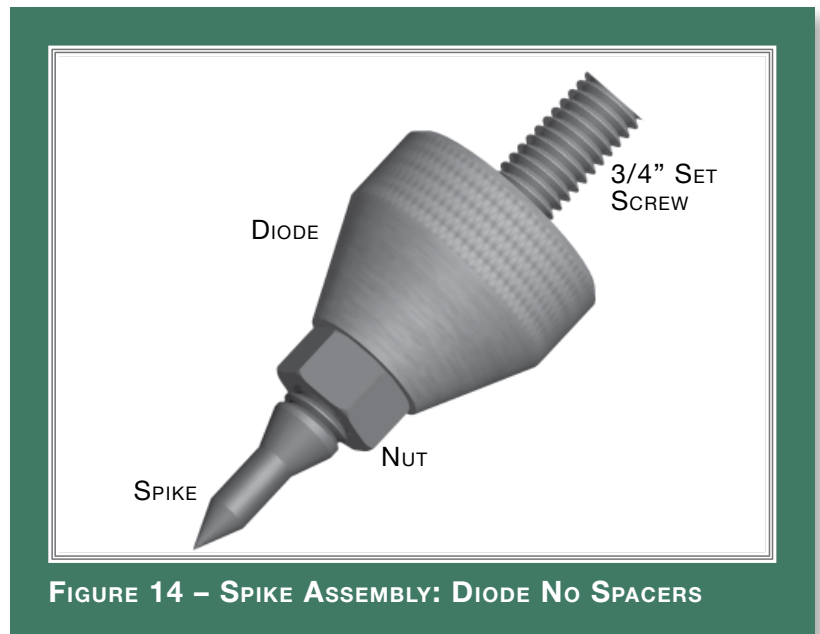
Image Height

Check the image height. Does the dialogue of a movie have the correct height? Is it too low or too high?

If needed, adjust the amount of rotation until the image height is correct. On a stand or floor mounted Mezzo Convergent Synergy, raising the front spikes will raise the image height; lowering the front spikes will lower the image height. Where possible, we recommend that you add or remove a spacer to get the correct image height. This will allow the PDC to be reset using the tables in Section 10.

Mezzo Convergent Synergy Rotation

Our testing has shown that a stand-mounted Mezzo Convergent Synergy, at listening distances greater than 2-3 meters, requires the front of



the Mezzo Convergent Synergy to be raised about 1". This is because the effects of comb-filtering are more noticeable the further you are away from the Mezzo Convergent Synergy. This comb-filtering reveals itself as a slight nasal sound in the voice. If you notice this in the sound, you should raise the front spikes of your Mezzo Convergent Synergy. This can be done by removing the front spikes and replacing them with the spike assembly as shown in Figure 14 above. Do as follows:

- Screw the spike and nut into the diode.
- Screw the 3/4" setscrew into the front spike holes in the stand.
- Thread the spike assembly onto the set screw.

Resetting the Propagation Delay correction (PDC)

Once the final rotation has been determined, you will need to reset the PDC. If you have raised the speaker by adding a diode or 1/2" spacer, read the PDC from the table that matches your current spike configuration in Section 10.

Every system has a unique time and phase character, which can affect the PDC accuracy. Because of this, you may find that sliding the tweeter forward or backwards one or two positions increases the clarity and correctness of your Mezzo Convergent Synergy. If you like, experiment with the tweeter position and lock it in position when you find the location you feel to be most accurate.

Integrating the WATCH Surround Channels

- Follow the processor instructions on level adjustment. Adjust the level on the Surround channels so they match in level with the front channels.
- Play a DVD that has a scene with something moving around the room. Listen for the correct spacial imaging. A correctly adjusted Surround chan-

nel will have good imaging characteristics, will be seamlessly blended, and should be just as transparent as the front channels.

- Adjust the rotation of the Surround channel until you find the best integration.

Note: The Surround channel rotates on the upper two spikes. Examine carefully this rotation and the mounting bracket before trying to adjust the angle of rotation. Be careful when rotating the speaker as it is very heavy and could fall off of the mounting bracket.

Integrating the Passive WATCH Dog or Thor's Hammer

The Passive WATCH Dog will perform well in almost any location in the room. In general, the closer you place the subwoofer to a wall or corner, the greater the augmentation of the bass. However, the increase in bass comes at a cost of perceived speed, dynamics and bass clarity. We recommend that you experiment with the placement of the subwoofer to find a balance of the above mentioned items with which you are satisfied. For complete information on integrating a Wilson Audio WATCH Dog, please refer to your subwoofer owner's manual.

SECTION 6—CARE OF THE FINISH



Section 6.1—Care of the Finish

The Mezzo Convergent Synergy loudspeaker is hand painted with WilsonGloss™ paint and hand polished to a high luster. While the finish seems quite dry to the touch, final curing and complete hardening takes place over a period of several weeks.

Dusting the Mezzo Convergent Synergy

It is important that the delicate paint finish of the Mezzo Convergent Synergy be dusted carefully with the dust cloth, which has been provided. We recommend that the following procedure be observed when dusting the speakers:

- Blow off all loose dust.
- Using the special dust cloth as a brush, gently whisk off any remaining loose dust.
- Shake out the dust cloth.
- Dust the finish, using linear motions in one direction parallel to the floor. Avoid using circular or vertical motions.

Because the paint requires a period of several weeks to fully cure, we recommend that no cleaning fluids, such as glass cleaners, be used during this initial period of time. When the paint is fully cured, heavy fingerprints and other minor smudges may be removed with a glass cleaner. Always use the dust cloth. Stronger solvents are not recommended under any circumstances. Consult your dealer for further information if required. To maintain the high luster of the finish, periodic polishing may be desired. We recommend a nonabrasive carnauba-based wax and a soft cloth.

Care of the Grills

Periodically, you will want to clean the Mezzo Convergent Synergy's grills. This is

best done by using the round brush attachment on a vacuum cleaner hose. Gently vacuum the front surface of the grill. Be careful not to apply too much pressure. Do not use a hard plastic attachment against the grill. The grill cloth is stretched tightly over the grill frame. Too much pressure or use of a hard plastic attachment could cause the grill material to tear, especially in the corners.

Often Wilson speaker owners desire to change the look of their listening room by changing the color of their speaker grills. In addition to basic black, Wilson Audio offers a variety of grill colors to match most WilsonGloss finishes. Contact your local dealer for grill cloth samples or to order replacement grills for your Mezzo Convergent Synergy.

Break-in Period

All audio equipment will sound best after its components have been broken in for some period of use. Wilson Audio breaks in all woofers and mid-range drivers for approximately 12 hours. All drivers are then tested, calibrated, and matched for their acoustical properties. In your listening room, expect 25 to 50 percent of break-in to be complete after two hours of playing music at normal listening levels. Ninety percent of break-in is complete after 24 hours of playing. Playing a CD on repeat overnight can accomplish this task quickly. Wilson Audio recommends chamber music for this task.

Section 6.2—Enclosure Technology

Materials

Wilson Audio has conducted many hours of research on the impact of materials on speaker enclosure performance. Through this effort, Wilson pioneered the use of non-resonant materials, first with the use of mineral-filled acrylic in the WATT and continuing with the further development of proprietary materials for X-1 Grand SLAMM and WATCH Dog. Even the best materials are not suited to all aspects of enclosure construction. Therefore, like all Wilson loudspeakers, the Mezzo Convergent Synergy is constructed of several

exotic materials chosen for their specific performance attributes relevant to different portions of the enclosure.

The Mezzo Convergent Synergy is constructed using non-resonant, high-density, composites which are then cross-braced to further reduce cabinet resonance. Each of these composites meets and exceeds the highest of ANSI test standards for its use, while offering very tight tolerances, high hardness, uniform density, and dimensional stability.

Adhesive

Wilson Audio has conducted exhaustive research into the best adhesives to permanently bond our speaker enclosures. This is often an overlooked element crucial to the proper performance of a loudspeaker. Correct modulus of elasticity, coefficient of thermal expansion, and natural frequency response are just a few of the important elements of adhesives.

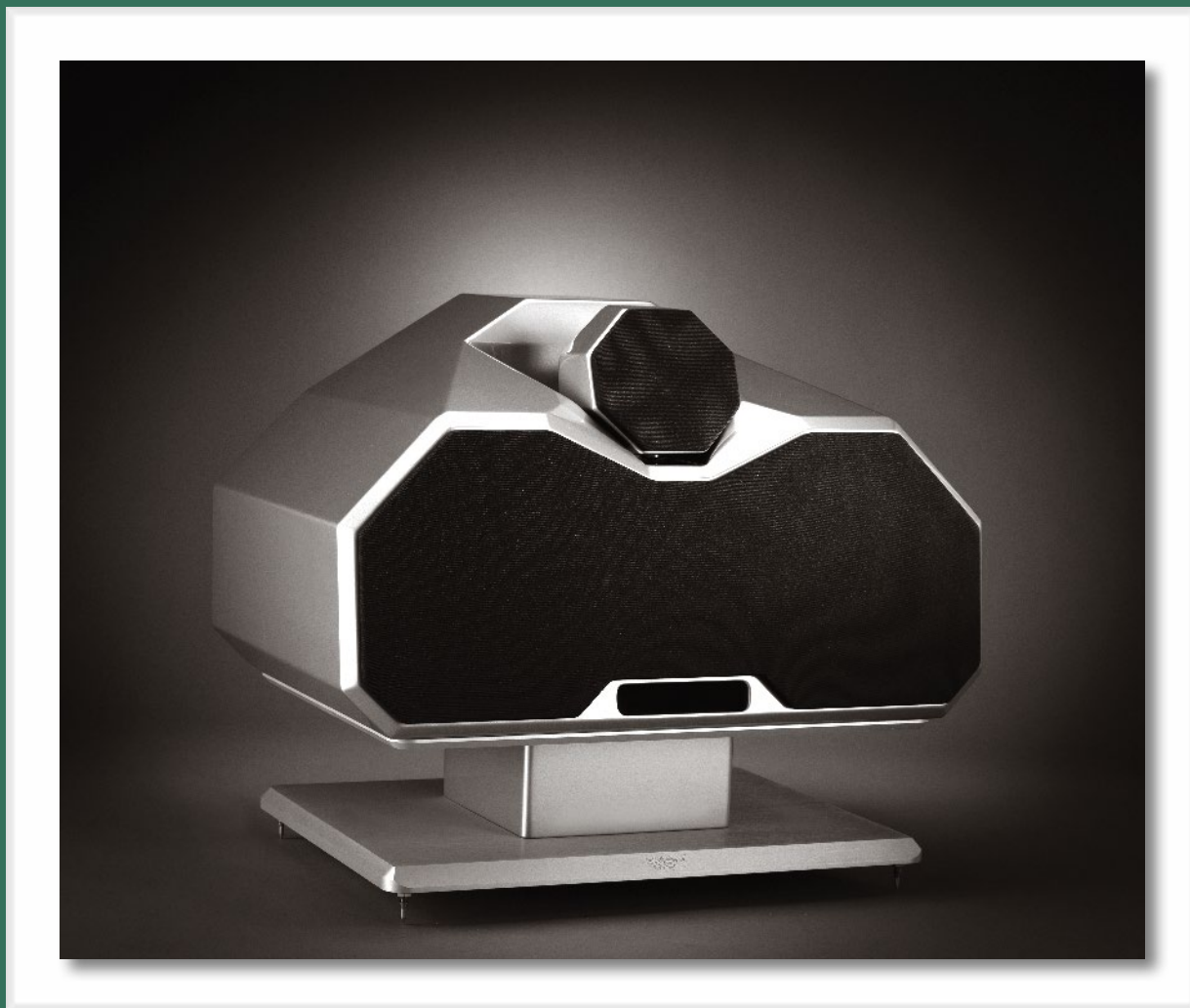
A highly cross-linked, thermoset adhesive is used for the construction of the enclosure. It was also chosen for its excellent bond strength, solvent resistance, hardness, and optimum vibrational characteristics.

Section 6.3—Depth of Design

Mezzo Convergent Synergy's compellingly authentic performance and lasting value are achieved through careful implementation of cutting edge design and engineering and then executed using the highest performance materials. Wilson Audio's use of proprietary enclosure materials and adhesives are employed to achieve truly exceptional speaker cabinet performance. The use of these materials in the Mezzo Convergent Synergy results in an enclosure that is inherently inert and non-resonant. All of these structural aspects are combined, allowing Wilson Audio to deliver a product that maintains the strictest structural tolerances, durability, and reliability. This also means that the Mezzo Convergent Synergy will have consistent, repeatable performance, unaffected by the climatic conditions,

anywhere in the world. Finally, like all Wilson products, the Mezzo Convergent Synergy is hand-crafted with meticulous attention to detail, with an unwavering commitment to excellence. Thus, the Mezzo Convergent Synergy will impart to her owner beauty and pleasure for many years to come.

SECTION 7—TROUBLESHOOTING



Section 7.1—Troubleshooting:

Center channel is not operating:

Check the interconnects from the source.

Driver out or not playing after connections have been verified:

Check the connections on the speaker cables, both at the amplifier and speaker ends. Watch especially for connectors touching each other.

Amplifier shuts off as soon as it is turned on:

If you have found a driver with no output, turn off your amp and disconnect the speaker cable. Remove the access panel on the rear of the enclosure. **Note: The enclosures is quite heavy. Please use care when moving.**

Using the appropriate Allen key, open the door on the back.

You will find some resistor connections. Replace the resistor with the supplied matching resistor. Tighten the new resistor in the old one's place.

Note: Use only Wilson Audio replacement resistors in your Wilson Mezzo Convergent Synergy. These resistors were carefully chosen for the overall sonic and thermal performance.

Plug your amplifier into the wall and turn it on.

Listen to the Center at a low level. The driver should now be operating correctly.

If the problem is solved:

Check to see if your speaker cables are properly connected to the binding posts. Look for frayed ends, loose connections, or a conductor contacting the amplifier chassis.

If the problem persists:

Turn the amplifier off and disconnect it from the AC wall outlet. Disconnect the preamplifier leads to the amplifier. Now turn on the amplifier.

If the problem is solved:

There is likely something wrong with your preamplifier or interconnect. Contact your dealer.

If the problem persists:

Leave the preamp leads disconnected and continue to the next step.

If the problem is solved:

Turn the amplifier off. Disconnect the speaker leads at the main input to the speaker. Now turn on the amplifier.

Call your Wilson Audio dealer. There may be a problem with the crossover or the speaker's internal wiring.

Continue to the next step.

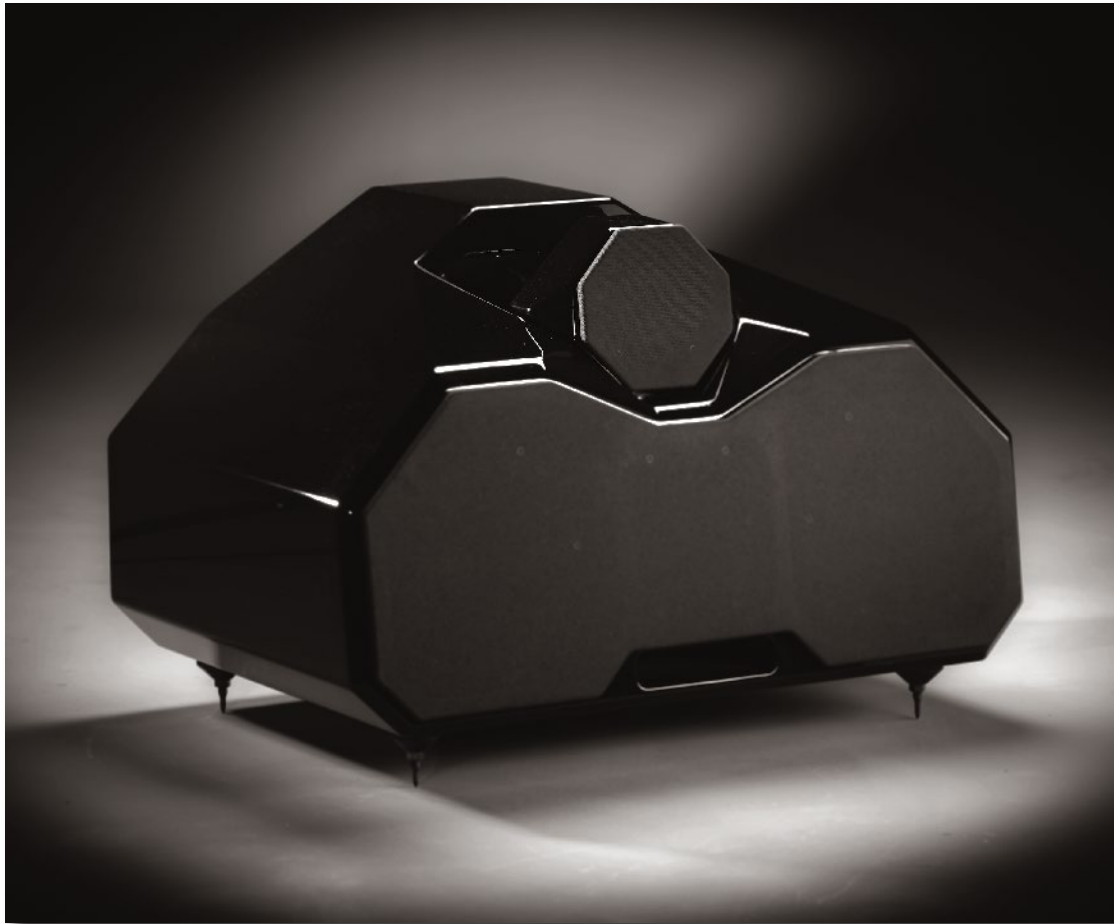
Turn the amplifier off and disconnect it from the AC wall outlet. Disconnect the speaker cable leads to the amplifier and turn the amplifier on again.

You have a short in your speaker cables. Check for frayed ends, holes (from spike feet), or make sure that your spade lug is not touching the chassis while it is connected to the binding post.

If the problem persists:

Call the dealer where you bought your amplifier. You appear to have a problem with this component.

SECTION 8—REPAIR PROCEDURES



Section 8.1—Repair Procedures

Replacing an Open Resistor

The Mezzo Convergent Synergy has a resistor that will protect the tweeter, in most cases, if the speaker is over driven during normal operation. This is done so that the driver is not damaged. Replace a blown resistor as follows:

1. Determine which driver is not playing music.
2. Remove the appropriate resistor access cover from the enclosure by removing each of the 10-32 button head machine screws (see Figure 15 for resistor cover location).
3. Using the appropriate Allen head, unscrew the 4-40 Allen bolt that holds the resistor to its heatsink.



FIGURE 15 – MEZZO CONVERGENT SYNERGY CABLE CONNECTION AND RESISTOR ACCESS

4. Insert the leads of the new resistor through the binding post hole. Retighten the binding post.
5. Attach the new resistor to its heatsink using the 4-40 Allen bolt.
6. Re-attach the resistor access cover to the enclosure, making sure not to over tighten the screws.

Replacing a Bad Driver

If you believe that a driver is blown, make sure that you have tried replacing the protective resistor before you replace the driver. No sound coming from a driver is often a blown resistor and not a bad driver. If you need to replace a driver, do so as follows:

1. Using the supplied Allen wrench, remove the machine screws holding the driver in place.
2. Insert the Allen wrench into one of the driver screw holes 1/8 inch. Gently lift out the driver, and place it onto the foam pad covering the front baffle.

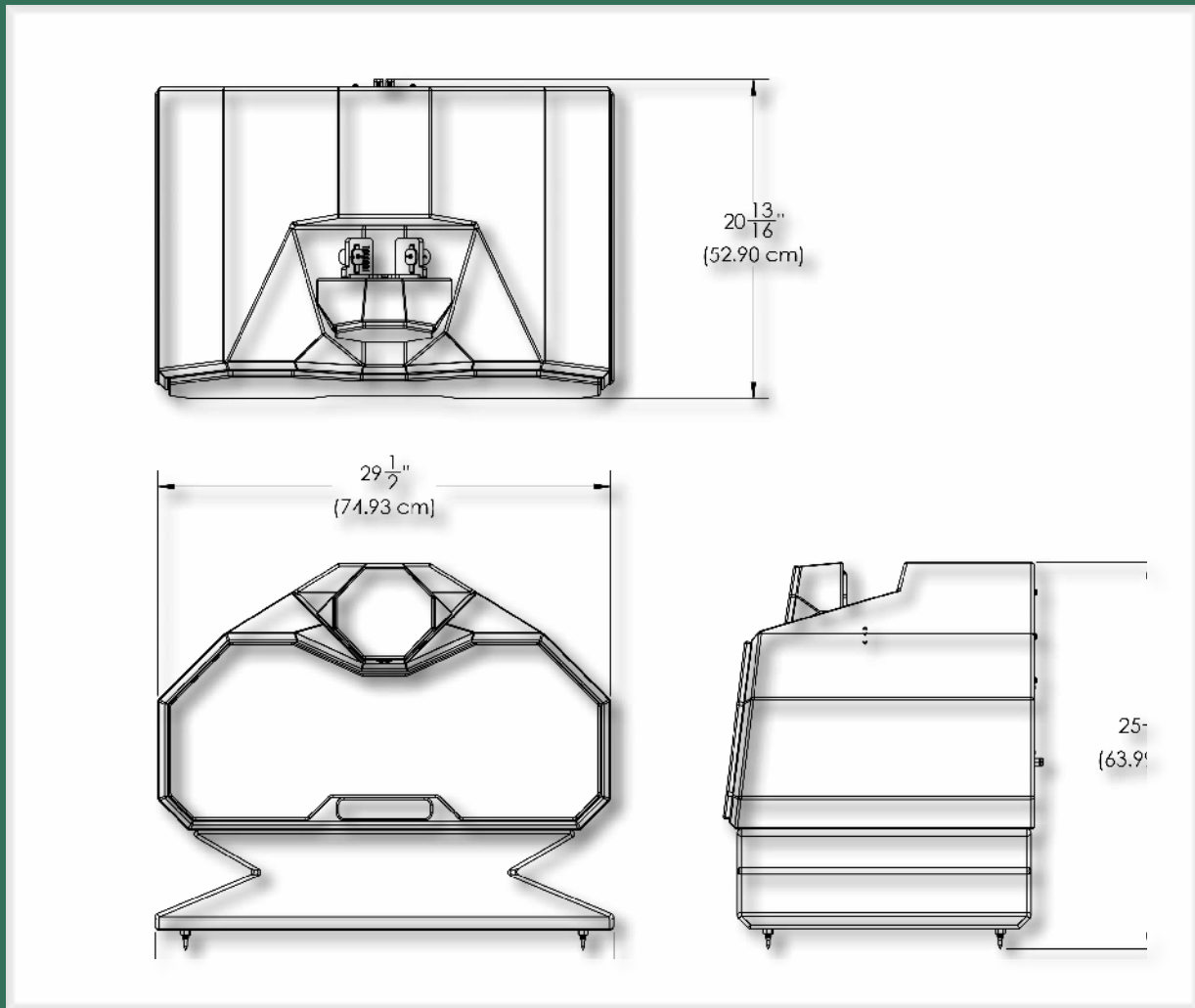
Note: It is best to place an old towel under the driver so that you will not damage the enclosure when unsoldering the driver.

3. Using a 900 degree F. soldering iron, heat up the solder joints and remove the driver.
4. Melt a small 1/8" diameter bead of solder onto the tip of each wire. Heat the wire up until you see the solder wick into the copper.
5. Place the replacement driver onto the cloth and solder on the wires to the driver. The white wire connects to the positive side, and the black wire connects to the negative. The positive side is generally indicated by a red dot. Make sure to heat up the solder joint completely and hold firmly in place until the solder sets.
6. Replace the driver foam gasket if necessary.

7. Place the driver into the machined recess.
8. Replace the screws, tightening them to 30 inch/pounds of torque.

Note: The bolts used to attach the drivers to the baffle are tightened at the factory using a digital torque wrench. The recommended torque for the allen-head bolts for each of the drivers is 35 inch-lb. The Maximum bolt torque is 37 inch-lb.

SECTION 9 — SPECIFICATIONS



Section 9.1—Mezzo Convergent Synergy Specifications

Tweeter Enclosure: One – 1" (2.54 cm), Doped Silk Fabric Dome

Midrange Enclosure: One – 7" (17.78 cm) Cellulose/Pulp Composite

Woofer Enclosure: Two – 8 inches (20.32 cm)

Impedance: 4 ohm – minimum 2.8 ohms @ 21 Hz

Sensitivity: 96 dB @ 1 watt @ 1 meter @ 1 kHz

Frequency Response: 20 Hz–28 kHz +/- 3 dB room average resp. [RAR]

Height: 17 3/8 inches (44.13 cm) w/o spikes

Depth: 20 13/16 inches (53.06 cm)

Width: 29 1/2 inches (74.93 cm)

Stand Height (without spikes): 6 1/2 inches (16.51 cm) w/o spikes

Stand Depth Hourglass: 19 1/8 inches (48.63 cm)

Stand Depth Column: 19 inches (48.31 cm)

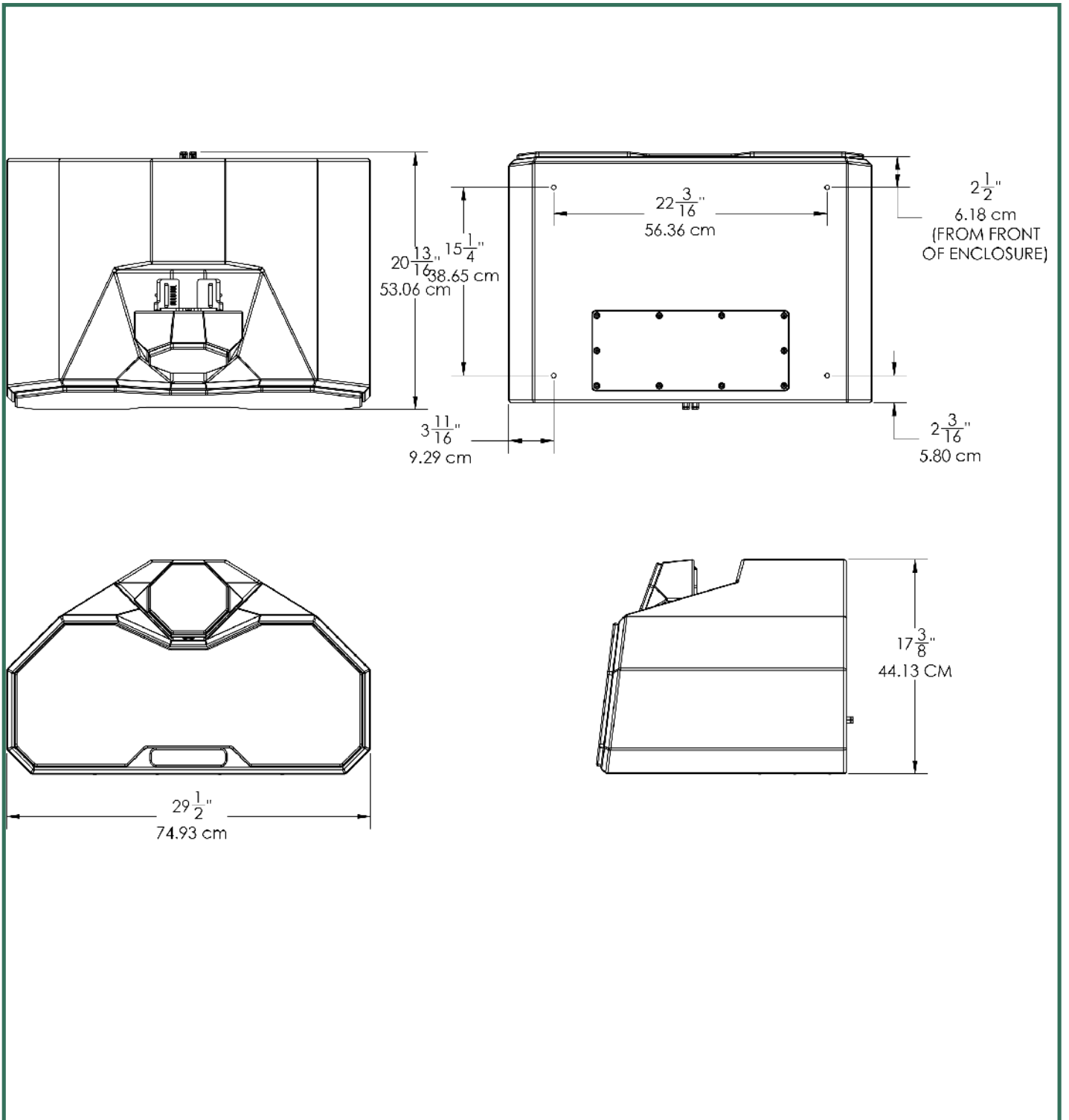
Stand Width Hourglass: 29 15/16 inches (76.02 cm)

Stand Width Column: 25 3/16 inches (63.93 cm)

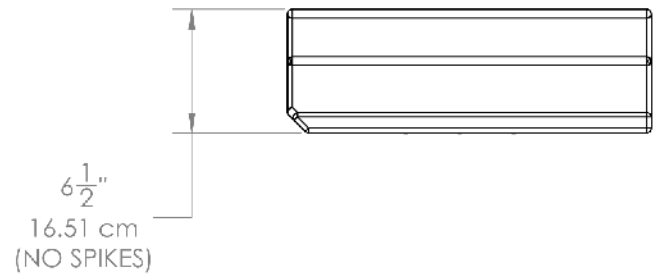
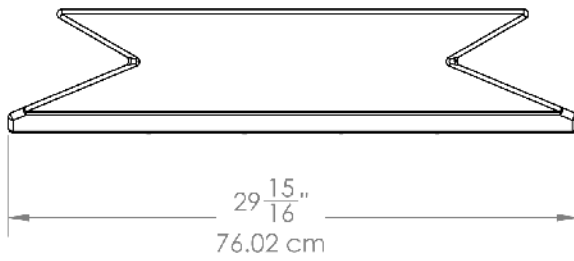
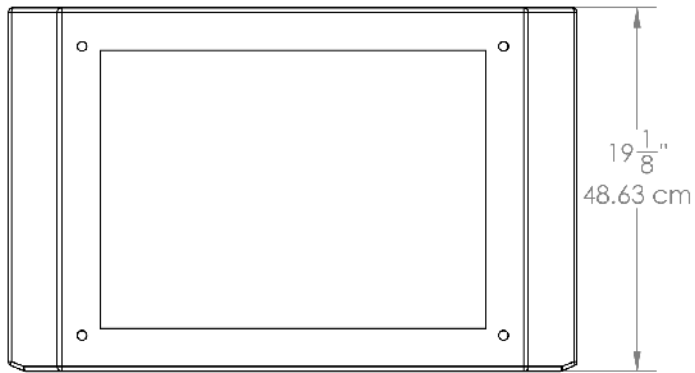
Weight Uncrated: 159 lbs. (71.21 kg)

Shipping Weight (approximate): 250 lbs. (113.40 kg)

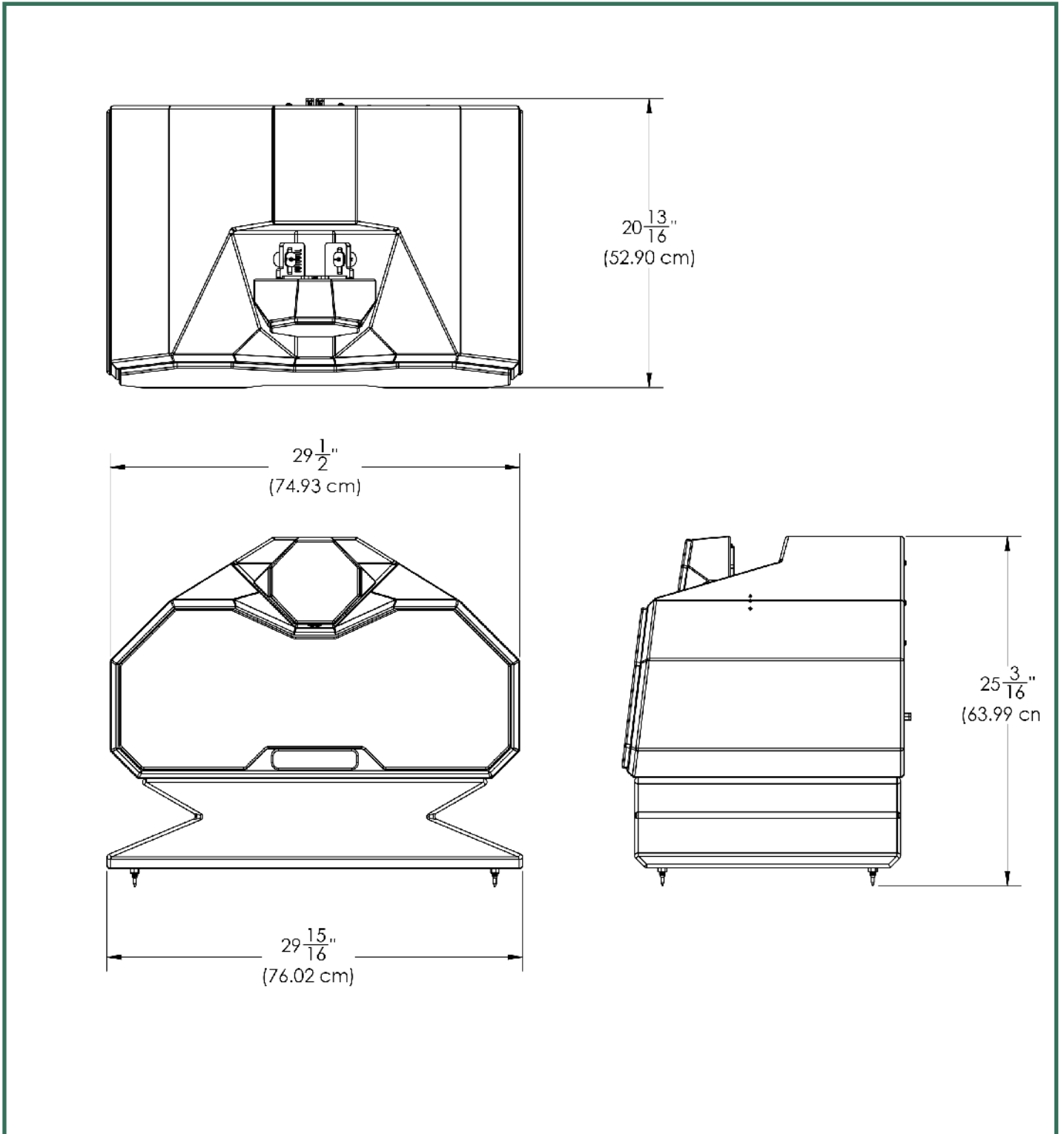
Section 9.2—Mezzo Convergent Synergy Dimensions



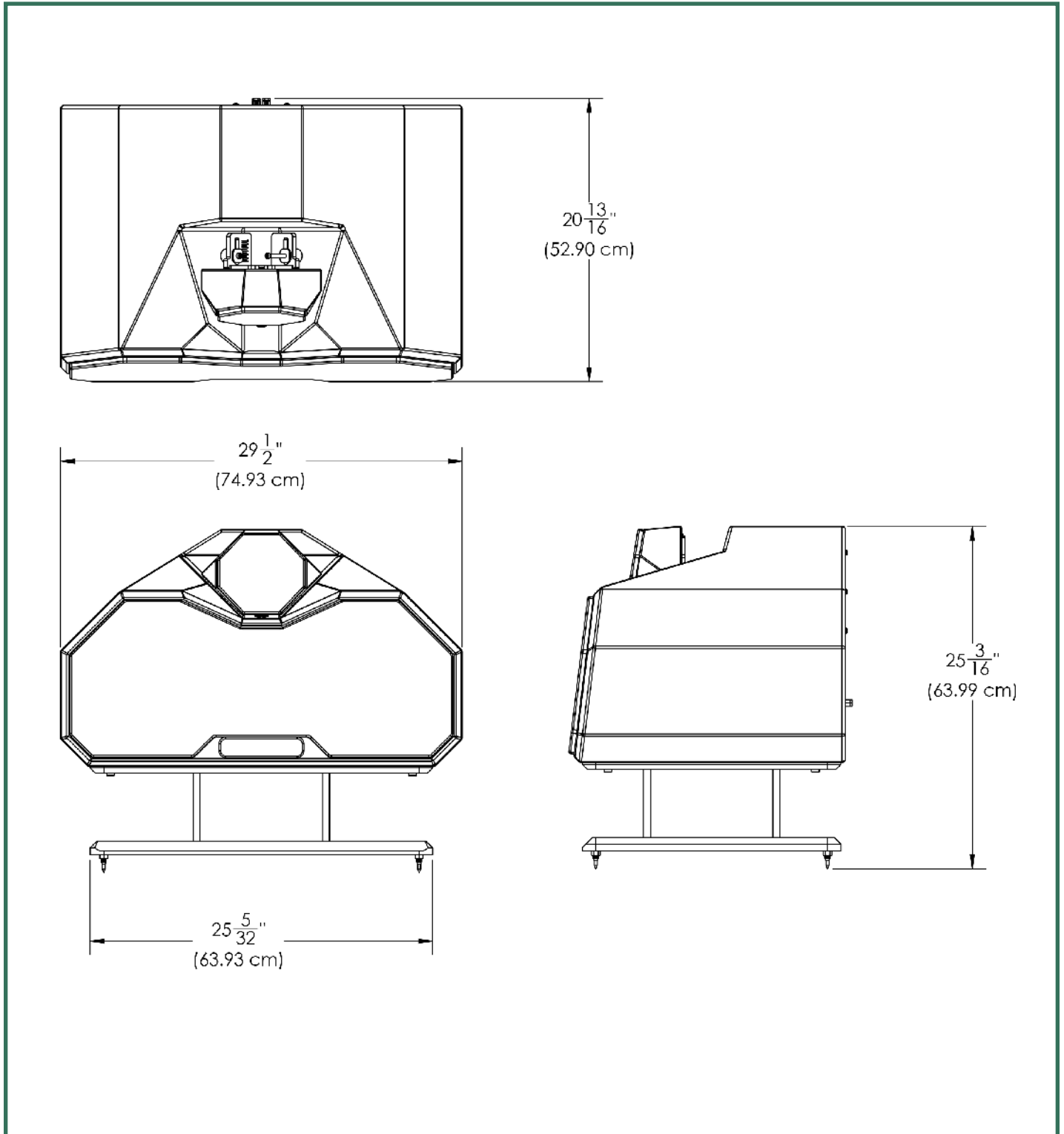
Section 9.3—Hourglass Stand Dimensions



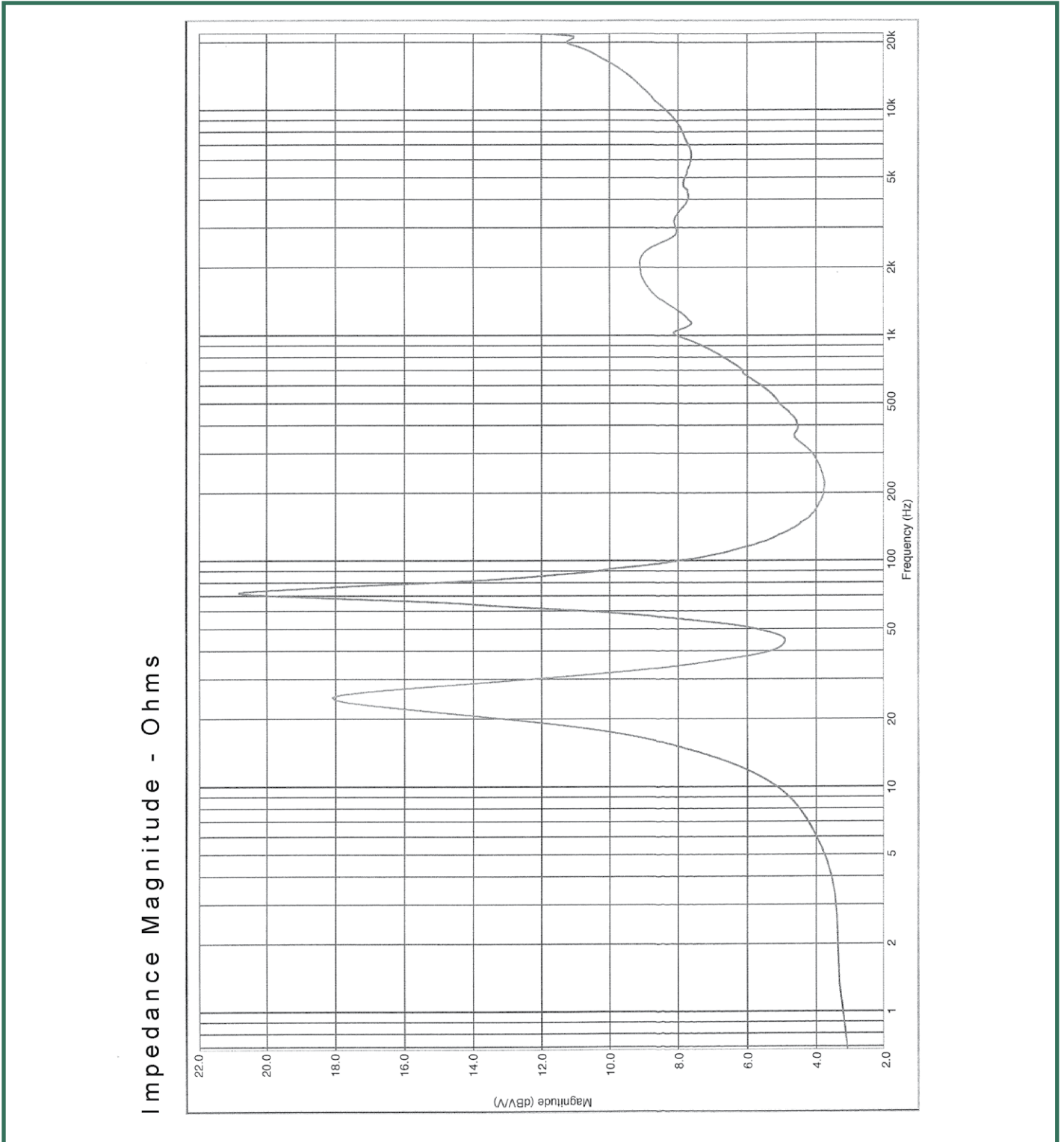
Section 9.4—Mezzo Convergent Synergy on Hourglass Stand Dimensions



Section 9.5—Column Stand Dimensions



Section 9.5—Mezzo Convergent Synergy Impedance Curve



SECTION 10—TIME-ALIGNMENT TABLES



Table 1—For Placement on Floor

Ear Height		Listening Distance								
		36 in	38 in	40 in	42 in	44 in	46 in	48 in	50 in	52 in
		91.5 cm	96.5 cm	101.5 cm	106.5 cm	112 cm	117 cm	122 cm	127 cm	132 cm
60 in	152.5 cm	3.5 †	2 †	2.5 ‡	na	na	na	na	na	na
64 in	162.5 cm	2 *	3 †	4 ‡	2.5 ‡	na	na	na	na	na
68 in	172.5 cm	3.5 *	4 †	2.5 †	3.5 ‡	2 ‡	na	na	na	na
72 in	183 cm	4.5 *	3 *	4 †	2.5 †	3.5 ‡	2 ‡	na	na	na
76 in	193 cm	5 *	4 *	2.5 *	3.5 †	2 †	3 ‡	1.5 ‡	na	na
80 in	203 cm	2	5 *	3.5 *	2 *	3 †	4 ‡	3 ‡	1.5 ‡	na
84 in	213.5 cm	2.5	5.5 *	4 *	3 *	4 †	2.5 †	4 ‡	2.5 ‡	1.5 ‡
88 in	223.5 cm	3	2	5 *	3.5 *	2.5 *	3.5 †	2.5 †	3.5 ‡	2.5 ‡
92 in	233.5 cm	4	2.5	6 *	4.5 *	3 *	2 *	3.5 †	2 †	3.5 ‡
96 in	244 cm	4.5	3.5	2	5.5 *	4 *	3 *	4 †	3 †	2 †
100 in	254 cm	5	4	3	6 *	5 *	3.5 *	2.5 *	4 †	3 †
104 in	264 cm	6	4.5	3.5	2	5.5 *	4.5 *	3.5 *	2 *	3.5 †
108 in	274.5 cm	6	5	4	3	6 *	5 *	4 *	3 *	2 *
112 in	284.5 cm	7	5.5	4.5	3.5	2.5	5.5 *	4.5 *	3.5 *	2.5 *
116 in	294.5 cm	7	6	5	4	3	2	5.5 *	4.5 *	3.5 *
120 in	305 cm	7.5	6.5	5.5	4.5	3.5	2.5	6 *	5 *	4 *
124 in	315 cm	8	7	6	5	4	3	2	5.5 *	4.5 *
128 in	325 cm	8.5	7.5	6.5	5.5	4.5	3.5	2.5	6 *	5 *
132 in	335.5 cm	9	8	7	6	5	4	3	2	5.5 *
136 in	345.5 cm	9	8	7	6	5.5	4.5	3.5	2.5	2
140 in	355.5 cm	9.5	8.5	7.5	6.5	6	5	4	3	2
144 in	366 cm	9.5	9	8	7	6	5.5	4.5	3.5	2.5
148 in	376 cm	10	9	8	7.5	6.5	5.5	5	4	3
152 in	386 cm	10	9.5	8.5	7.5	7	6	5	4.5	3.5
156 in	396 cm	10.5	9.5	9	8	7	6.5	5.5	5	4
160 in	406.5 cm	10.5	10	9	8.5	7.5	7	6	5	4.5
164 in	416.5 cm	11	10	9.5	8.5	8	7	6.5	5.5	5
168 in	426.5 cm	11	10.5	9.5	9	8	7.5	6.5	6	5
172 in	437 cm	11	10.5	10	9	8.5	7.5	7	6	5.5
176 in	447 cm	11.5	11	10	9.5	8.5	8	7	6.5	6
180 in	457 cm	11.5	11	10	9.5	9	8	7.5	7	6

† = Spike, Nut, Diode, and One Spacer
 ‡ = Spike, Nut, Diode, and Two Spacers
 * = Spike, Nut, and Diode

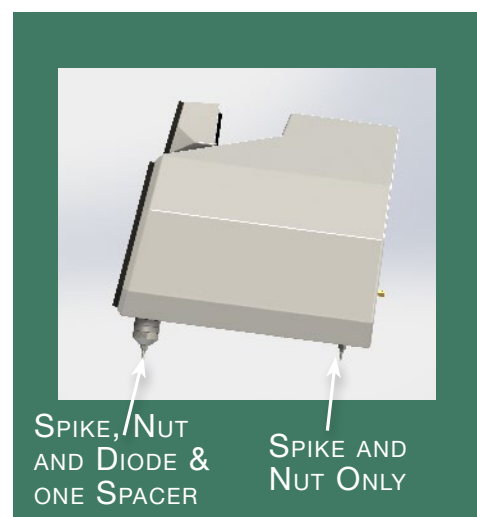
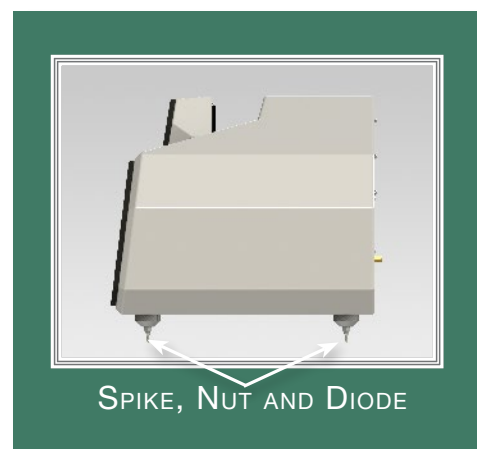


Table 2—For Placement on Stand

Mezzo on Stand		Listening Distance									
		36 in	38 in	40 in	42 in	44 in	46 in	48 in	50 in	52 in	
		91.5 cm	96.5 cm	101.5 cm	106.5 cm	112 cm	117 cm	122 cm	127 cm	132 cm	
Ear Height											
64 in	162.5 cm	2.5	na	na	na	na	na	na	na	na	
68 in	172.5 cm	3.5	2	na	na	na	na	na	na	na	
72 in	183 cm	4.5	3	na	na	na	na	na	na	na	
76 in	193 cm	5	3.5	2	na	na	na	na	na	na	
80 in	203 cm	6	4.5	3	na	na	na	na	na	na	
84 in	213.5 cm	6.5	5	3.5	2	na	na	na	na	na	
88 in	223.5 cm	7	6	4.5	3	na	na	na	na	na	
92 in	233.5 cm	7.5	6	5	3.5	2	na	na	na	na	
96 in	244 cm	8	7	5.5	4	3	2	na	na	na	
100 in	254 cm	8.5	7.5	6	5	3.5	2.5	na	na	na	
104 in	264 cm	9	8	6.5	5.5	4	3	2	na	na	
108 in	274.5 cm	9.5	8	7	6	5	3.5	2.5	na	na	
112 in	284.5 cm	10	8.5	7.5	6.5	5.5	4	3	2	na	
116 in	294.5 cm	10	9	8	7	6	5	3.5	2.5	2	
120 in	305 cm	10.5	9.5	8.5	7.5	6.5	5.5	4	3	2	
124 in	315 cm	10.5	9.5	8.5	7.5	6.5	5.5	4.5	3.5	2.5	
128 in	325 cm	11	10	9	8	7	6	5	4	3	
132 in	335.5 cm	11.5	10.5	9.5	8.5	7.5	6.5	5.5	4.5	3.5	
136 in	345.5 cm	11.5	10.5	9.5	9	8	7	6	5	4	
140 in	355.5 cm	11.5	11	10	9	8	7.5	6.5	5.5	4.5	
144 in	366 cm	12	11	10.5	9.5	8.5	7.5	7	6	5	
148 in	376 cm	12	11.5	10.5	9.5	9	8	7	6.5	5.5	
152 in	386 cm	12.5	11.5	11	10	9	8.5	7.5	6.5	6	
156 in	396 cm	12.5	12	11	10	9.5	8.5	8	7	6	
160 in	406.5 cm	13	12	11	10.5	9.5	9	8	7.5	6.5	
164 in	416.5 cm	13	12	11.5	10.5	10	9	8.5	7.5	7	
168 in	426.5 cm	13	12.5	11.5	11	10	9.5	8.5	8	7	
172 in	437 cm	na	12.5	12	11	10.5	9.5	9	8	7.5	
176 in	447 cm	na	12.5	12	11.5	10.5	10	9	8.5	7.5	
180 in	457 cm	na	13	12	11.5	11	10	9.5	8.5	8	



SECTION 11 — WARRANTY INFORMATION



Section 12.1—Warranty Information

Limited Warranty

Subject to the conditions set forth herein, Wilson Audio warrants its electronics to be free of manufacturing defects in material and workmanship for the Warranty Period. The Warranty Period is a period of 90 days from the date of purchase by the original purchaser, or if both of the following two requirements are met, the Warranty Period is a period of five (5) years from the date of purchase by the original purchaser:

Requirement No. 1: No later than 30 days after product delivery to the customer, the customer must have returned the Warranty Registration Form to Wilson Audio;

Requirement No. 2: The product must have been professionally installed by the Wilson Audio dealer that sold the product to the customer.

Failure to comply with either requirement no. 1 or requirement no. 2 will result in the warranty period being limited to a period of 90 days only.

Conditions

This Limited Warranty is also subject to the following conditions and limitations. The Limited Warranty is void and inapplicable if the product has been used or handled other than in accordance with the instructions in the owner's manual, or has been abused or misused, damaged by accident or neglect or in being transported, or if the product has been tampered with or service or repair of the product has been attempted or performed by anyone other than Wilson Audio, an authorized Wilson Audio Dealer Technician or a service or repair center authorized by Wilson Audio to service or repair the product. Contact Wilson Audio at (801) 377-2233 for information on location of Wilson Audio Dealers and authorized service and repair centers. Most repairs can be made in the field. In instances where return to Wilson Audio's factory is required, the dealer or customer must first obtain

a return authorization. Purchaser must pay for shipping to Wilson Audio, and Wilson Audio will pay for shipping of its choice to return the product to purchaser. **A returned product must be accompanied by a written description of the defect.** Wilson Audio reserves the right to modify the design of any product without obligation to purchasers of previously manufactured products and to change the prices or specifications of any product without notice or obligation to any person.

Remedy

In the event that the product fails to meet the above Limited Warranty and the conditions set forth herein have been met, the purchaser's sole remedy under this Limited Warranty shall be to: (1) contact an authorized Wilson Audio Dealer within the Warranty Period for service or repair of the product without charge for parts or labor, which service or repair, at the Dealer's option, shall take place either at the location where the product is installed or at the Dealer's place of business; or (2) if purchaser has timely sought service or repair and the product cannot be serviced or repaired by the Dealer, then purchaser may obtain a return authorization from Wilson Audio and at purchaser's expense return the product to Wilson Audio where the defect will be rectified without charge for parts or labor.

Warranty Limited to Original Purchaser

This Limited Warranty is for the sole benefit of the original purchaser of the covered product and shall not be transferred to a subsequent purchaser of the product, unless the product is purchased by the subsequent purchaser from an authorized Wilson Audio Dealer who has certified the product in accordance with Wilson Audio standards and requirements and the certification has been accepted by Wilson Audio, in which event the Limited Warranty for the product so purchased and certified shall expire at the end of the original Warranty Period applicable to the product.

Demonstration Equipment

Equipment, while used by an authorized dealer for demonstration purposes, is warranted to be free of manufacturing defects in materials and workmanship for a period of five (5) years from the date of shipment to the dealer. Demo equipment needing warranty service may be repaired on-site or, if necessary, correctly packed and returned to Wilson Audio by the dealer at dealer's sole expense. Wilson Audio will pay return freight of its choice. A returned product must be accompanied by a written description of the defect. Dealer owned demonstration equipment sold at retail within two (2) years of date of shipment to the dealer is warranted to the first retail customer to be free of manufacturing defects in materials and workmanship for the same time periods as if the product had originally been bought for immediate resale to the retail customer. Wilson Audio products are warranted for a period of 90 days, unless extended to 5 years, as provided above, by return and filing of completed Warranty Registration at Wilson Audio within 30 days after product delivery to customer and the product was professionally installed by the Wilson Audio Dealer that sold the product to the customer.

Miscellaneous

All express and implied warranties not provided for herein are hereby expressly disclaimed. Any legally imposed implied warranties relating to the product shall be limited to the duration of this limited warranty. This limited warranty does not extend to any incidental or consequential costs or damages to the purchaser.

Some states do not allow limitations on how long an implied warranty lasts or an exclusion or limitation of incidental or consequential damages, so the above limitations or exclusions may not apply to you. This Limited Warranty gives you specific legal rights, and you may also have other rights, which vary from state to state.